

0.9 m | 3 ft Standard Performance Parabolic Reflector Antenna, Single-polarized, 5.725-7.125GHz

SP3-6



The SP Standard Performance Series by RadioWaves offers a full line of cost effective standard performance parabolic antennas engineered to deliver reliable radio links. Designed for both unlicensed and licensed band applications, RadioWaves field-proven pre-assembled SP antennas and robust pole-mounts ensure “set and forget” installation with minimal post-installation maintenance. If it’s rugged, it must be RadioWaves!

FEATURES AND BENEFITS

- Standard Performance Parabolic Antennas – Excellent performance for a wide range of licensed and unlicensed applications
- Fully Preassembled at the Factory – Simplifies installation on site and guarantees “factory-tested” quality

SPECIFICATIONS

General

| | |
|---------------|--------------------------------------------------|
| Antenna Type | Standard Performance Parabolic Reflector Antenna |
| Size, nominal | 3 ft 0.9 m |
| Polarization | Single |

| | |
|------------------------------|------------------------------------|
| Standard RF Connector Type | CPR137G |
| Standard RF Connector Suffix | RS (append suffix to model number) |

Electrical

| | |
|-----------------------------------|-------------------|
| Operating Frequency Band | 5.725 - 7.125 GHz |
| Half Power Beamwidth, Horizontal | 3.7 degrees |
| Half Power Beamwidth, Vertical | 3.7 degrees |
| Cross-Polarization Discrimination | 28 dB |
| Front to Back Ratio (F/B) | 40 dB |

| | |
|----------------------|----------|
| Gain, Low Frequency | 32.4 dBi |
| Gain, Mid Frequency | 33.5 dBi |
| Gain, High Frequency | 34.5 dBi |
| VSWR | 1.37:1 |
| Return Loss | -16.1 dB |

Mechanical

| | | |
|-------------------------------|--------------------|---------------------------------|
| Fine Azimuth Adjustment | +/- 10 degrees | |
| Fine Elevation Adjustment | +/- 25 degrees | |
| Mounting Pipe Diameter, Min | 4.5 inch 11.4 cm | |
| Mounting Pipe Diameter, Max | 4.5 inch 11.4 cm | |
| Net Weight | 35 lbs 15.8 kg | 43 lbs 19.4 Kg with RD radome |
| Wind Velocity Operational | 90 mph 145 km/h | |
| Wind Velocity Survival Rating | 125 mph 201 km/h | |

| | | |
|----------------------------------------------|---------------------|----------------------------------|
| Mechanical Configuration | SP3 | |
| Axial Force (FA) | 492 lbs 2189 N | 271 lbs 1206 Nm with RD radome |
| Side Force (FS) | 40 lbs 178 N | 64 lbs 285 Nm with RD radome |
| Twisting Moment (MT) | 545 ft-lbs 739 Nm | 394 lbs 534 Nm with RD radome |
| Operating Temperature Range | -40 to +60 C | |
| Max Pressure, PSIG, (if waveguide interface) | 5 | |

Regulatory Compliance

| | |
|----------------------------|------------|
| FCC | undeclared |
| Industry Canada Compliance | undeclared |

| | |
|----------------|--------------|
| ETSI | 302217 R1 C1 |
| RoHS-compliant | Yes |

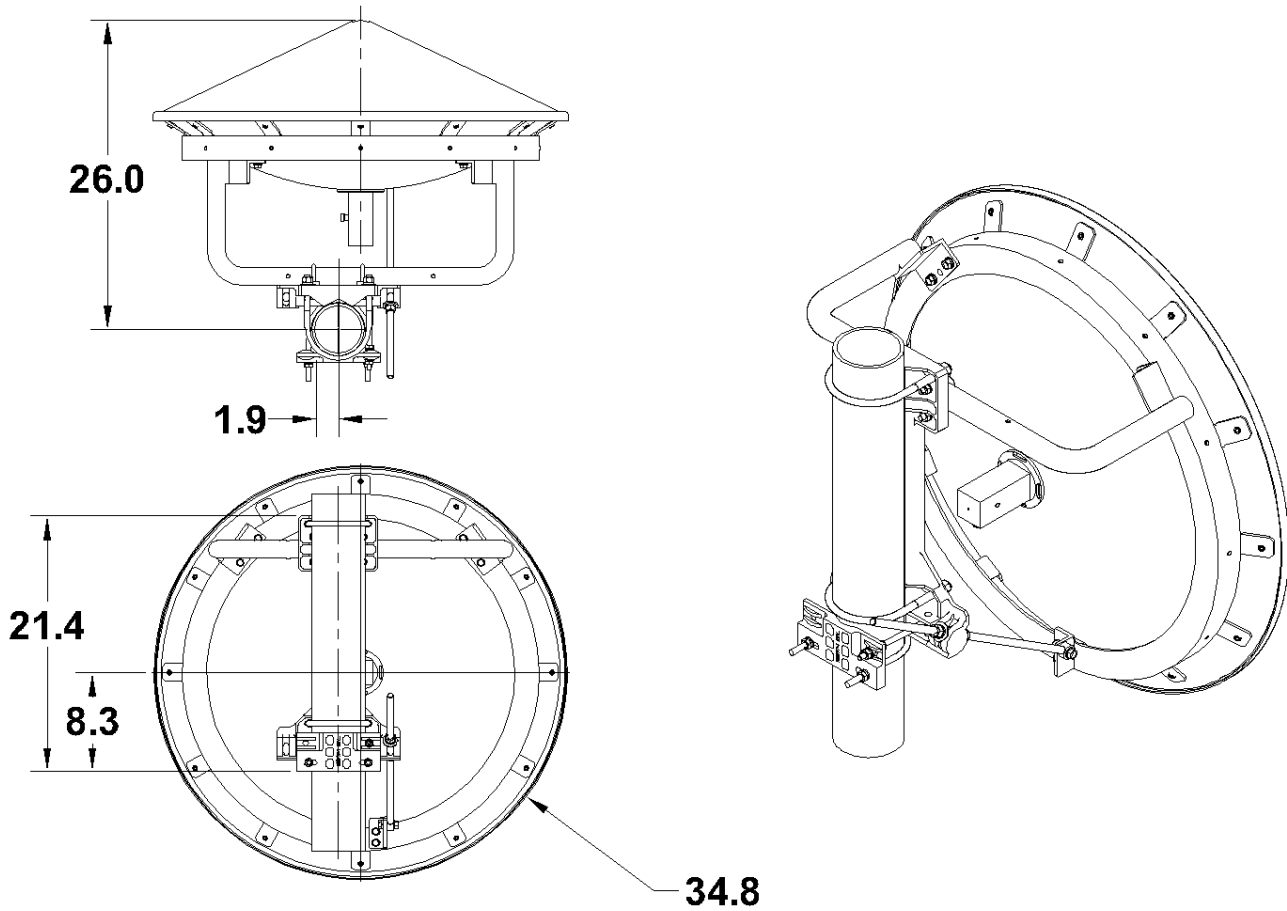
Shipping Information

| | |
|--------------|------------------|
| Package Type | Wood Crate |
| Gross Weight | 78 lbs 35.3 kg |

| | |
|-----------------------|-----------------------------|
| Dimensions, L x W x H | 0 x 0 x 0 in 0 x 0 x 0 cm |
| Shipping Volume | 0 cu ft 0 cu m |

*Additional OEM interfaces and adapters may be available. Contact RadioWaves for a complete and current list of available adapters.

TECHNICAL DRAWINGS



SP3