

0.6 m | 2 ft Standard Performance Parabolic Reflector Antenna, Dual-polarized, 4.4-5GHz

SPD2-4.7



The SP Standard Performance Series by RadioWaves offers a full line of cost effective standard performance parabolic antennas engineered to deliver reliable radio links. Designed for both unlicensed and licensed band applications, RadioWaves field-proven pre-assembled SP antennas and robust pole-mounts ensure “set and forget” installation with minimal post-installation maintenance. If it’s rugged, it must be RadioWaves!

FEATURES AND BENEFITS

- Standard Performance Parabolic Antennas – Excellent performance for a wide range of licensed and unlicensed applications
- Fully Preassembled at the Factory – Simplifies installation on site and guarantees “factory-tested” quality

SPECIFICATIONS

General

| | |
|---------------|--|
| Antenna Type | Standard Performance Parabolic Reflector Antenna |
| Size, nominal | 2 ft 0.6 m |
| Polarization | Dual |

| | |
|------------------------------|------------------------------------|
| Standard RF Connector Type | N-Female |
| Standard RF Connector Suffix | NS (append suffix to model number) |

Electrical

| | |
|-----------------------------------|-------------|
| Operating Frequency Band | 4.4 - 5 GHz |
| Half Power Beamwidth, Horizontal | 7.1 degrees |
| Half Power Beamwidth, Vertical | 7.1 degrees |
| Cross-Polarization Discrimination | 28 dB |
| Front to Back Ratio (F/B) | 34 dB |

| | |
|----------------------|----------|
| Gain, Low Frequency | 26 dBi |
| Gain, Mid Frequency | 26.6 dBi |
| Gain, High Frequency | 27.1 dBi |
| VSWR | 1.5:1 |
| Return Loss | -14 dB |

Mechanical

| | | |
|-------------------------------|--------------------|---------------------------------|
| Fine Azimuth Adjustment | +/- 10 degrees | |
| Fine Elevation Adjustment | +/- 30 degrees | |
| Mounting Pipe Diameter, Min | 2 inch 5.08 cm | |
| Mounting Pipe Diameter, Max | 4.5 inch 11.4 cm | |
| Net Weight | 22 lbs 9.9 kg | 26 lbs 11.7 Kg with RD radome |
| Wind Velocity Operational | 90 mph 145 km/h | |
| Wind Velocity Survival Rating | 125 mph 201 km/h | |

| | | |
|--|---------------------|---------------------------------|
| Mechanical Configuration | SP2 | |
| Axial Force (FA) | 222 lbs 988 N | 122 lbs 543 Nm with RD radome |
| Side Force (FS) | 14 lbs 62 N | 24 lbs 107 Nm with RD radome |
| Twisting Moment (MT) | 225 ft-lbs 305 Nm | 194 lbs 263 Nm with RD radome |
| Operating Temperature Range | -40 to +60 C | |
| Max Pressure, PSIG, (if waveguide interface) | 5 | |

Regulatory Compliance

| | |
|----------------------------|------------|
| FCC | undeclared |
| Industry Canada Compliance | undeclared |

| | |
|----------------|------------|
| ETSI | undeclared |
| RoHS-compliant | Yes |

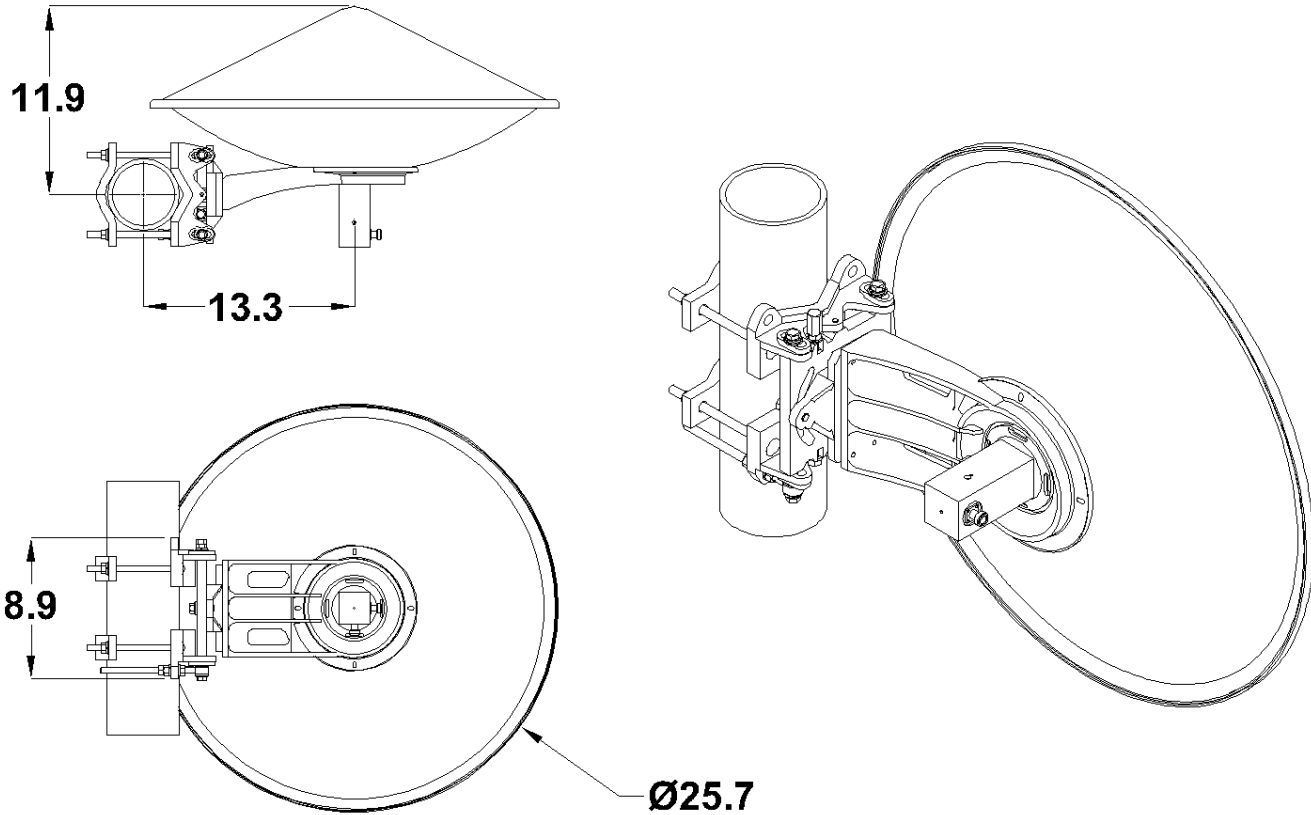
Shipping Information

| | |
|--------------|------------------|
| Package Type | Cardboard |
| Gross Weight | 25 lbs 11.3 kg |

| | |
|-----------------------|---------------------------------|
| Dimensions, L x W x H | 28 x 8 x 28in 71 x 20 x 71 cm |
| Shipping Volume | 3.63 cu ft 0.1 cu m |

*Additional OEM interfaces and adapters may be available. Contact RadioWaves for a complete and current list of available adapters.

TECHNICAL DRAWINGS



SP2