

0.3 m | 1 ft Flat Panel Antenna, Single-polarized, 5.15-5.85GHz

**FP1-5-24**



The FP Flat Panel Series by RadioWaves offers a full line of high performance flat panel antennas engineered for superior performance within a low profile aesthetically pleasing form factor. Ideal for Point to Point applications where form factor is a concern, RadioWaves field-proven pre-assembled antennas and robust easy to install mounting system ensure “set and forget” installation with minimal post-installation maintenance. If it’s rugged, it must be RadioWaves!

**FEATURES AND BENEFITS**

- High Performance Flat Panel Antennas – Excellent performance in an aesthetically pleasing form factor
- Fully Preassembled at the Factory – Simplifies installation on site and guarantees “factory-tested” quality

**SPECIFICATIONS**

**General**

Antenna Type	Flat Panel Antenna
Size, nominal	1 ft   0.3 m
Polarization	Single

Standard RF Connector Type	N-Female
Standard RF Connector Suffix	Not Applicable: No model number suffix required

**Electrical**

Operating Frequency Band	5.15 - 5.85 GHz
Half Power Beamwidth, Horizontal	9 degrees
Half Power Beamwidth, Vertical	9 degrees
Cross-Polarization Discrimination	30 dB
Front to Back Ratio (F/B)	40 dB

Gain, Low Frequency	23.4 dBi
Gain, Mid Frequency	24 dBi
Gain, High Frequency	24.5 dBi
VSWR	1.4:1
Return Loss	-15.5 dB

## Mechanical

Fine Azimuth Adjustment	Supplied with coarse az adjust only
Fine Elevation Adjustment	+/- 10 degrees
Mounting Pipe Diameter, Min	2 inch   5.1 cm
Mounting Pipe Diameter, Max	2.5 inch   6.4 cm
Net Weight	5 lbs   2.3 kg
Wind Velocity Operational	90 mph   145 km/h
Wind Velocity Survival Rating	125 mph   201 km/h

Mechanical Configuration	FP1
Axial Force (FA)	49 lbs   220 N
Side Force (FS)	0 lbs   0 N
Twisting Moment (MT)	0 ft-lbs   0 Nm
Operating Temperature Range	-40 to +60 C
Max Pressure, PSIG, (if waveguide interface)	na

## Regulatory Compliance

FCC	undeclared
Industry Canada Compliance	undeclared

ETSI	undeclared
RoHS-compliant	Yes

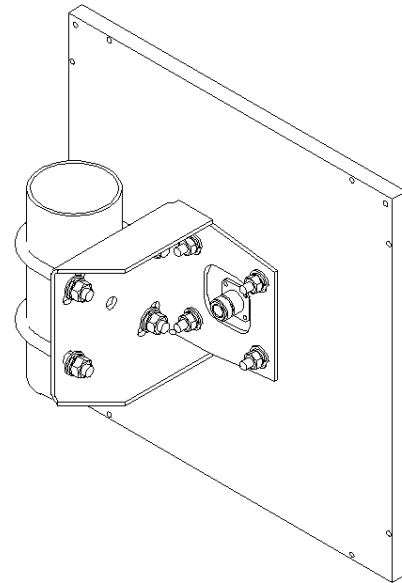
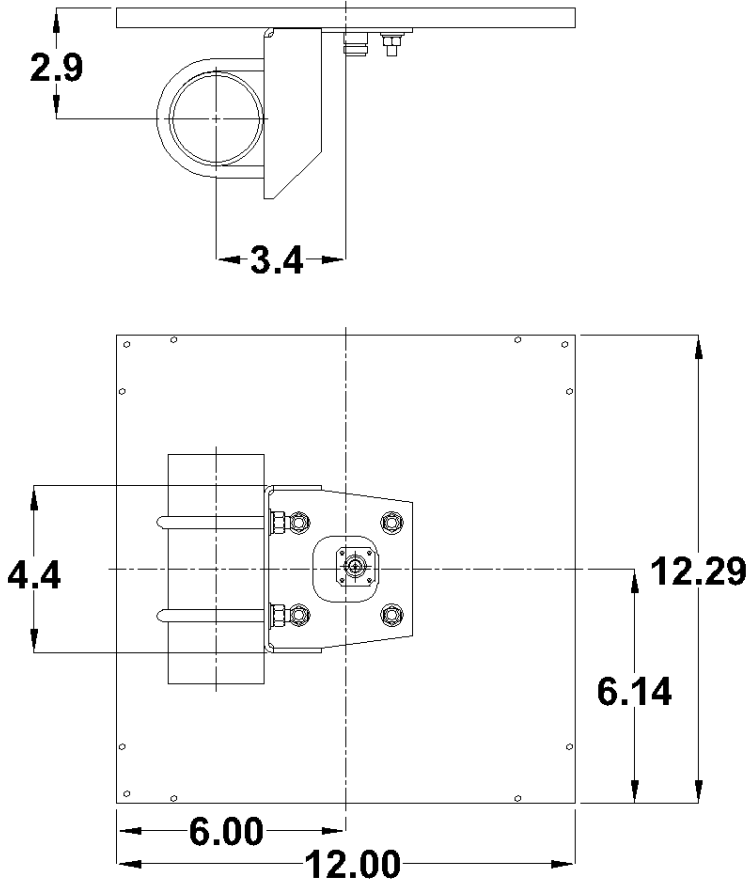
## Shipping Information

Package Type	Cardboard
Gross Weight	8 lbs   3.6 kg

Dimensions, L x W x H	16 x 16 x 5in   40 x 40 x 12 cm
Shipping Volume	0.7 cu ft   0.02 cu m

\*Additional OEM interfaces and adapters may be available. Contact RadioWaves for a complete and current list of available adapters.

TECHNICAL DRAWINGS



**FP1**