

60 Degree, 17 dBi Sector Antenna, Horizontal-polarized, 5.25-5.85GHz

SEC-5.5H-60-17



The SEC Sectors Series by RadioWaves offers a full line of high performance sector antennas engineered to provide a broad selection of beamwidths (40, 60, 90, 120 degrees) as well as excellent gain. RadioWaves field-proven pre-assembled antennas and robust easy to install mounting system ensure “set and forget” installation with minimal post-installation maintenance. If it’s rugged, it must be RadioWaves!

FEATURES AND BENEFITS

- High Performance Sector Antennas – Excellent performance for a wide range of applications
- Fully Preassembled at the Factory – Simplifies installation on site and guarantees “factory-tested” quality

SPECIFICATIONS

General

Antenna Type	Sector Antenna
Size, nominal	2.125 ft 0.648 m
Polarization	Horizontal

Standard RF Connector Type	N-Female
Standard RF Connector Suffix	Not Applicable: No model number suffix required

Electrical

Operating Frequency Band	5.25 - 5.85 GHz
Half Power Beamwidth, Horizontal	60 degrees
Half Power Beamwidth, Vertical	8 degrees
Cross-Polarization Discrimination	25 dB
Front to Back Ratio (F/B)	35 dB

Gain, Low Frequency	16.5 dBi
Gain, Mid Frequency	17 dBi
Gain, High Frequency	17.5 dBi
VSWR	1.5:1
Return Loss	-14 dB

Mechanical

Fine Azimuth Adjustment	Supplied with coarse az adjust only
Fine Elevation Adjustment	+/- 5 degrees
Mounting Pipe Diameter, Min	2 inch 5.1 cm
Mounting Pipe Diameter, Max	4.5 inch 11.4 cm
Net Weight	5 lbs 2.3 kg
Wind Velocity Operational	90 mph 145 km/h
Wind Velocity Survival Rating	125 mph 201 km/h

Mechanical Configuration	SEC1
Axial Force (FA)	85 lbs 378 N
Side Force (FS)	32 lbs 142 N
Twisting Moment (MT)	0 ft-lbs 0 Nm
Operating Temperature Range	-40 to +60 C
Max Pressure, PSIG, (if waveguide interface)	na

Regulatory Compliance

FCC	undeclared
Industry Canada Compliance	undeclared

ETSI	undeclared
RoHS-compliant	Yes

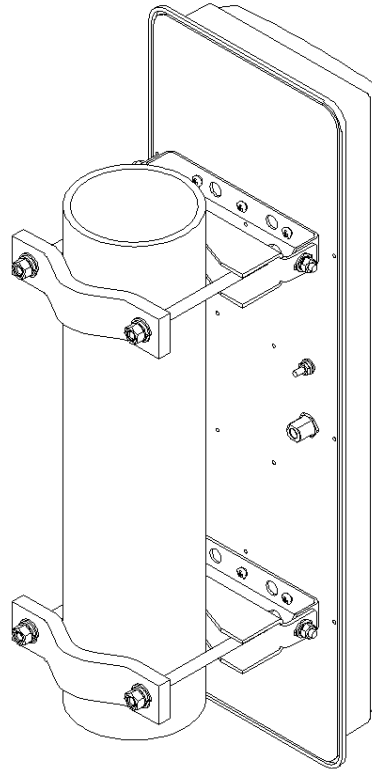
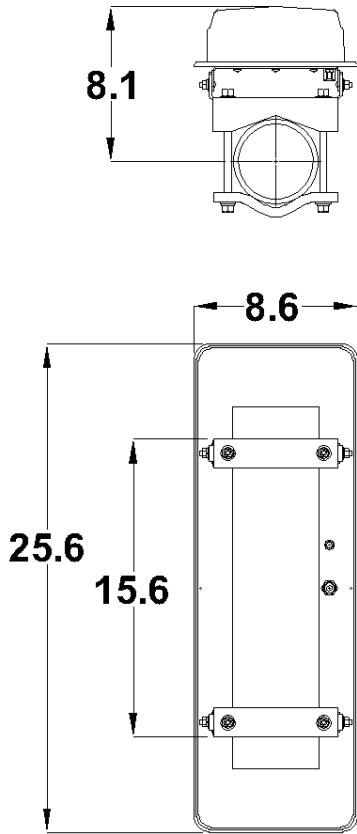
Shipping Information

Package Type	Cardboard
Gross Weight	13 lbs 5.9 kg

Dimensions, L x W x H	12 x 27 x 8in 30 x 68 x 20 cm
Shipping Volume	1.5 cu ft 0.04 cu m

*Additional OEM interfaces and adapters may be available. Contact RadioWaves for a complete and current list of available adapters.

TECHNICAL DRAWINGS



SEC1