

1.8 m | 6 ft High Performance Parabolic Reflector Antenna, Single-polarized, 14.25-15.35GHz



HP6-15

The HP High Performance Series by RadioWaves offers a full line of high performance parabolic antennas engineered to provide ETSI class 2/3 radiation pattern performance as well as excellent gain. RadioWaves field-proven pre-assembled antennas and robust pole-mounts ensure “set and forget” installation with minimal post-installation maintenance. The included radome ensures robust and reliable performance under the most challenging conditions. If it’s rugged, it must be RadioWaves!

FEATURES AND BENEFITS

- High Performance ETSI Class 2/3* Parabolic Antennas – Excellent performance for a wide range of applications
- Fully Preassembled at the Factory – Simplifies installation on site and guarantees “factory-tested” quality

*ETSI Class depends on frequency band

SPECIFICATIONS

General

Antenna Type	High Performance Parabolic Reflector Antenna
Size, nominal	6 ft 1.8 m
Polarization	Single

Standard RF Connector Type	WR62
Standard RF Connector Suffix	RS (append suffix to model number)

Electrical

Operating Frequency Band	14.25 - 15.35 GHz
Half Power Beamwidth, Horizontal	0.8 degrees
Half Power Beamwidth, Vertical	0.8 degrees
Cross-Polarization Discrimination	30 dB
Front to Back Ratio (F/B)	72 dB

Gain, Low Frequency	45.7 dBi
Gain, Mid Frequency	45.9 dBi
Gain, High Frequency	46.2 dBi
VSWR	1.37:1
Return Loss	-16.1 dB

Mechanical

Fine Azimuth Adjustment	+/- 10 degrees
Fine Elevation Adjustment	+/- 10 degrees
Mounting Pipe Diameter, Min	4.5 inch 11.4 cm
Mounting Pipe Diameter, Max	4.5 inch 11.4 cm
Net Weight	251 lbs 113 kg
Wind Velocity Operational	90 mph 145 km/h
Wind Velocity Survival Rating	125 mph 201 km/h

Mechanical Configuration	HP6
Axial Force (FA)	1680 lbs 7473 N
Side Force (FS)	832 lbs 3700 N
Twisting Moment (MT)	2100 ft-lbs 2847 Nm
Operating Temperature Range	-40 to +60 C
Max Pressure, PSIG, (if waveguide interface)	5

Regulatory Compliance

FCC	undeclared
Industry Canada Compliance	SRSP314.5 C

ETSI	302217 R2 C2
RoHS-compliant	Yes

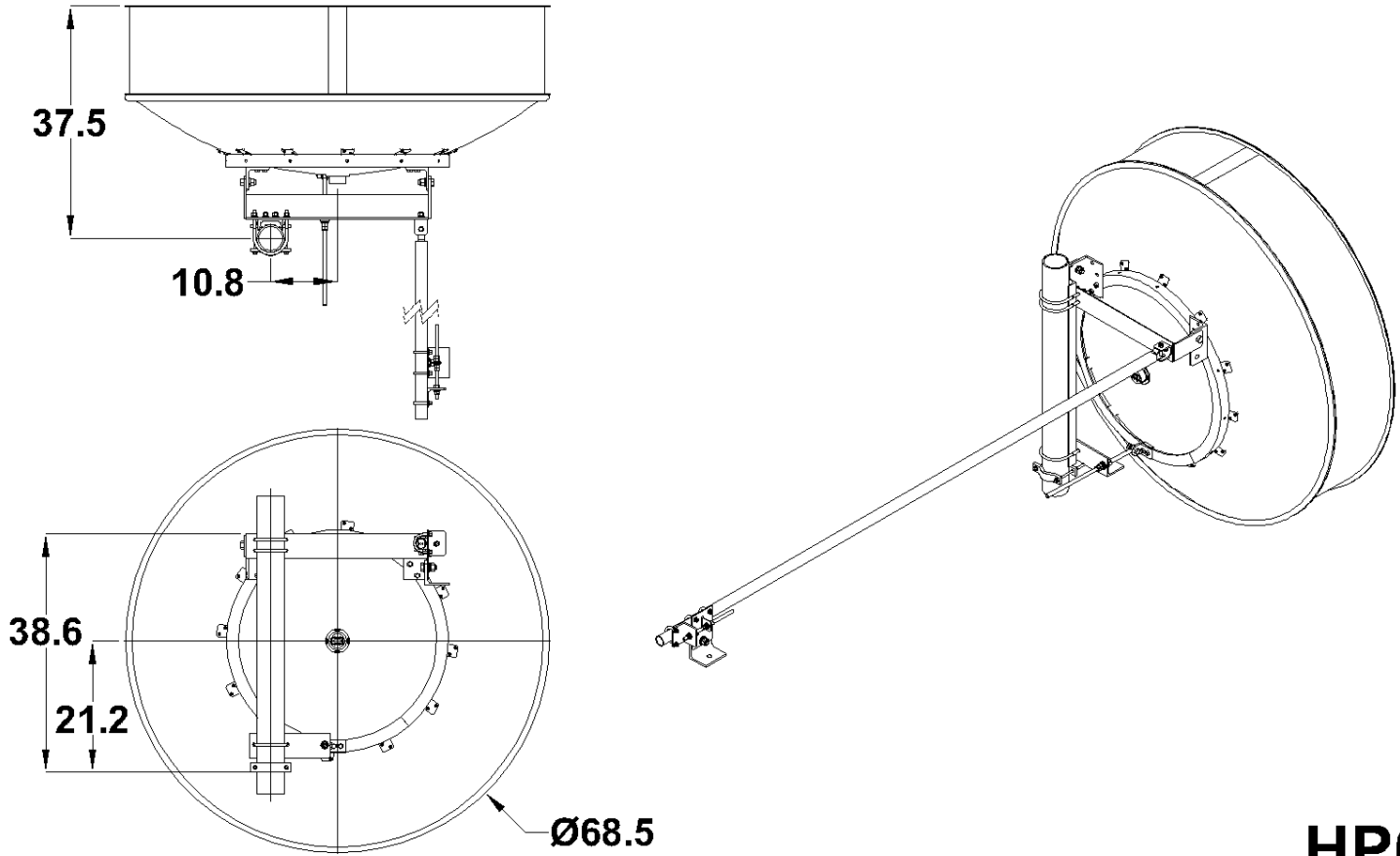
Shipping Information

Package Type	Wood Crate
Gross Weight	401 lbs 181.8 kg

Dimensions, L x W x H	77 x 35 x 80in 195 x 89 x 203 cm
Shipping Volume	124.77 cu ft 3.53 cu m

*Additional OEM interfaces and adapters may be available. Contact RadioWaves for a complete and current list of available adapters.

TECHNICAL DRAWINGS



HP6