

0.6 m | 2 ft Standard Performance Parabolic Reflector Antenna, Dual-polarized, 6.425-7.125GHz

**SPD2-6.4**



The SP Standard Performance Series by RadioWaves offers a full line of cost effective standard performance parabolic antennas engineered to deliver reliable radio links. Designed for both unlicensed and licensed band applications, RadioWaves field-proven pre-assembled SP antennas and robust pole-mounts ensure “set and forget” installation with minimal post-installation maintenance. If it’s rugged, it must be RadioWaves!

**FEATURES AND BENEFITS**

- Standard Performance Parabolic Antennas – Excellent performance for a wide range of licensed and unlicensed applications
- Fully Preassembled at the Factory – Simplifies installation on site and guarantees “factory-tested” quality

**SPECIFICATIONS**

**General**

|               |                                                  |
|---------------|--------------------------------------------------|
| Antenna Type  | Standard Performance Parabolic Reflector Antenna |
| Size, nominal | 2 ft   0.6 m                                     |
| Polarization  | Dual                                             |

|                              |                                    |
|------------------------------|------------------------------------|
| Standard RF Connector Type   | CPR137G                            |
| Standard RF Connector Suffix | RS (append suffix to model number) |

**Electrical**

|                                   |                   |
|-----------------------------------|-------------------|
| Operating Frequency Band          | 6.425 - 7.125 GHz |
| Half Power Beamwidth, Horizontal  | 5.2 degrees       |
| Half Power Beamwidth, Vertical    | 5.2 degrees       |
| Cross-Polarization Discrimination | 28 dB             |
| Front to Back Ratio (F/B)         | 37 dB             |

|                      |          |
|----------------------|----------|
| Gain, Low Frequency  | 29.7 dBi |
| Gain, Mid Frequency  | 30.1 dBi |
| Gain, High Frequency | 30.5 dBi |
| VSWR                 | 1.37:1   |
| Return Loss          | -16.1 dB |

## Mechanical

|                               |                    |                                 |
|-------------------------------|--------------------|---------------------------------|
| Fine Azimuth Adjustment       | +/- 10 degrees     |                                 |
| Fine Elevation Adjustment     | +/- 30 degrees     |                                 |
| Mounting Pipe Diameter, Min   | 2 inch   5.08 cm   |                                 |
| Mounting Pipe Diameter, Max   | 4.5 inch   11.4 cm |                                 |
| Net Weight                    | 22 lbs   9.9 kg    | 26 lbs   11.7 Kg with RD radome |
| Wind Velocity Operational     | 90 mph   145 km/h  |                                 |
| Wind Velocity Survival Rating | 125 mph   201 km/h |                                 |

|                                              |                     |                                 |
|----------------------------------------------|---------------------|---------------------------------|
| Mechanical Configuration                     | SP2                 |                                 |
| Axial Force (FA)                             | 222 lbs   988 N     | 122 lbs   543 Nm with RD radome |
| Side Force (FS)                              | 14 lbs   62 N       | 24 lbs   107 Nm with RD radome  |
| Twisting Moment (MT)                         | 225 ft-lbs   305 Nm | 194 lbs   263 Nm with RD radome |
| Operating Temperature Range                  | -40 to +60 C        |                                 |
| Max Pressure, PSIG, (if waveguide interface) | 5                   |                                 |

## Regulatory Compliance

|                            |            |
|----------------------------|------------|
| FCC                        | undeclared |
| Industry Canada Compliance | undeclared |

|                |            |
|----------------|------------|
| ETSI           | undeclared |
| RoHS-compliant | Yes        |

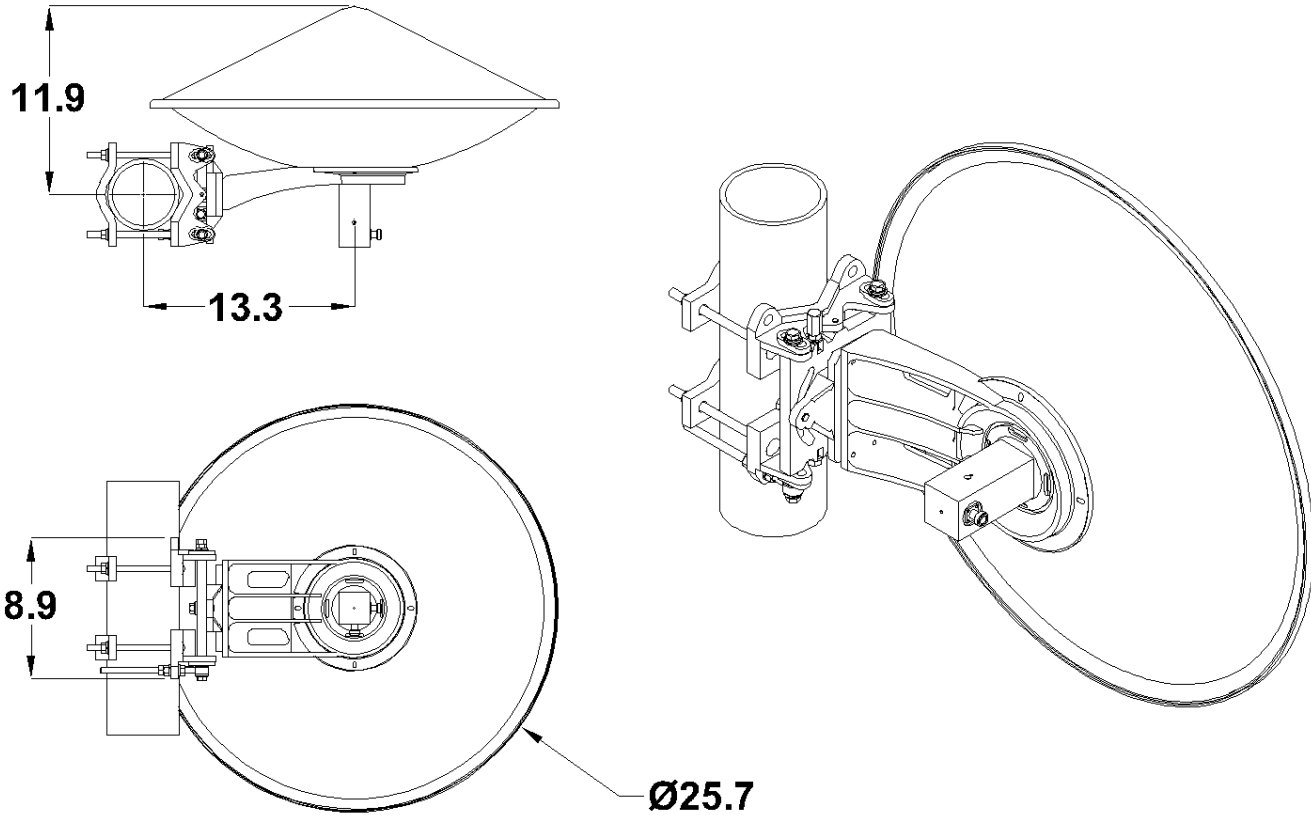
## Shipping Information

|              |                  |
|--------------|------------------|
| Package Type | Cardboard        |
| Gross Weight | 25 lbs   11.3 kg |

|                       |                                 |
|-----------------------|---------------------------------|
| Dimensions, L x W x H | 28 x 8 x 28in   71 x 20 x 71 cm |
| Shipping Volume       | 3.63 cu ft   0.1 cu m           |

\*Additional OEM interfaces and adapters may be available. Contact RadioWaves for a complete and current list of available adapters.

TECHNICAL DRAWINGS



**SP2**