

## HPD3-6.4

### 0.9 M | 3 FT HIGH PERFORMANCE PARABOLIC REFLECTOR ANTENNA, DUAL-POLARIZED, 6.425-7.125GHZ

The HP High Performance Series by RadioWaves offers a full line of high performance parabolic antennas engineered to provide ETSI class 2/3 radiation pattern performance as well as excellent gain. RadioWaves field-proven pre-assembled antennas and robust pole-mounts ensure “set and forget” installation with minimal post-installation maintenance. The included radome ensures robust and reliable performance under the most challenging conditions. If it’s rugged, it must be RadioWaves!



### FEATURES AND BENEFITS

- High Performance ETSI Class 2/3\* Parabolic Antennas – Excellent performance for a wide range of applications
- Fully Preassembled at the Factory – Simplifies installation on site and guarantees “factory-tested” quality
- Warranty – Industry leading 7-year warranty

\*ETSI Class depends on frequency band

### SPECIFICATIONS

#### General

Antenna Type	High Performance Parabolic Reflector Antenna	Standard RF Connector Type	CPR137G
Size, nominal	3 ft   0.9 m	Standard RF Connector Suffix	RS (append suffix to model number)
Polarization	Dual		

#### Electrical

Operating Frequency Band	6.425 - 7.125 GHz	Gain, Low Frequency	32.8 dBi
Half Power Beamwidth, Horizontal	3.5 degrees	Gain, Mid Frequency	33.2 dBi
Half Power Beamwidth, Vertical	3.5 degrees	Gain, High Frequency	33.6 dBi
Cross-Polarization Discrimination	30 dB	VSWR	1.37:1
Front to Back Ratio (F/B)	57 dB	Return Loss	-16.1 dB

## Mechanical

Fine Azimuth Adjustment	+/- 10 degrees
Fine Elevation Adjustment	+/- 25 degrees
Mounting Pipe Diameter, Min	4.5 inch   11.4 cm
Mounting Pipe Diameter, Max	4.5 inch   11.4 cm
Net Weight	50 lbs   12.3 kg
Wind Velocity Operational	90 mph   145 km/h
Wind Velocity Survival Rating	125 mph   201 km/h

Mechanical Configuration	HP3-LoFreq
Axial Force (FA)	403 lbs   1972 N
Side Force (FS)	200 lbs   890 N
Twisting Moment (MT)	344 ft-lbs   466 Nm
Operating Temperature Range	-40 to +60 C
Max Pressure, PSIG, (if waveguide interface)	5

## Regulatory Compliance

FCC	undeclared
Industry Canada Compliance	undeclared

ETSI	undeclared
RoHS-compliant	Yes

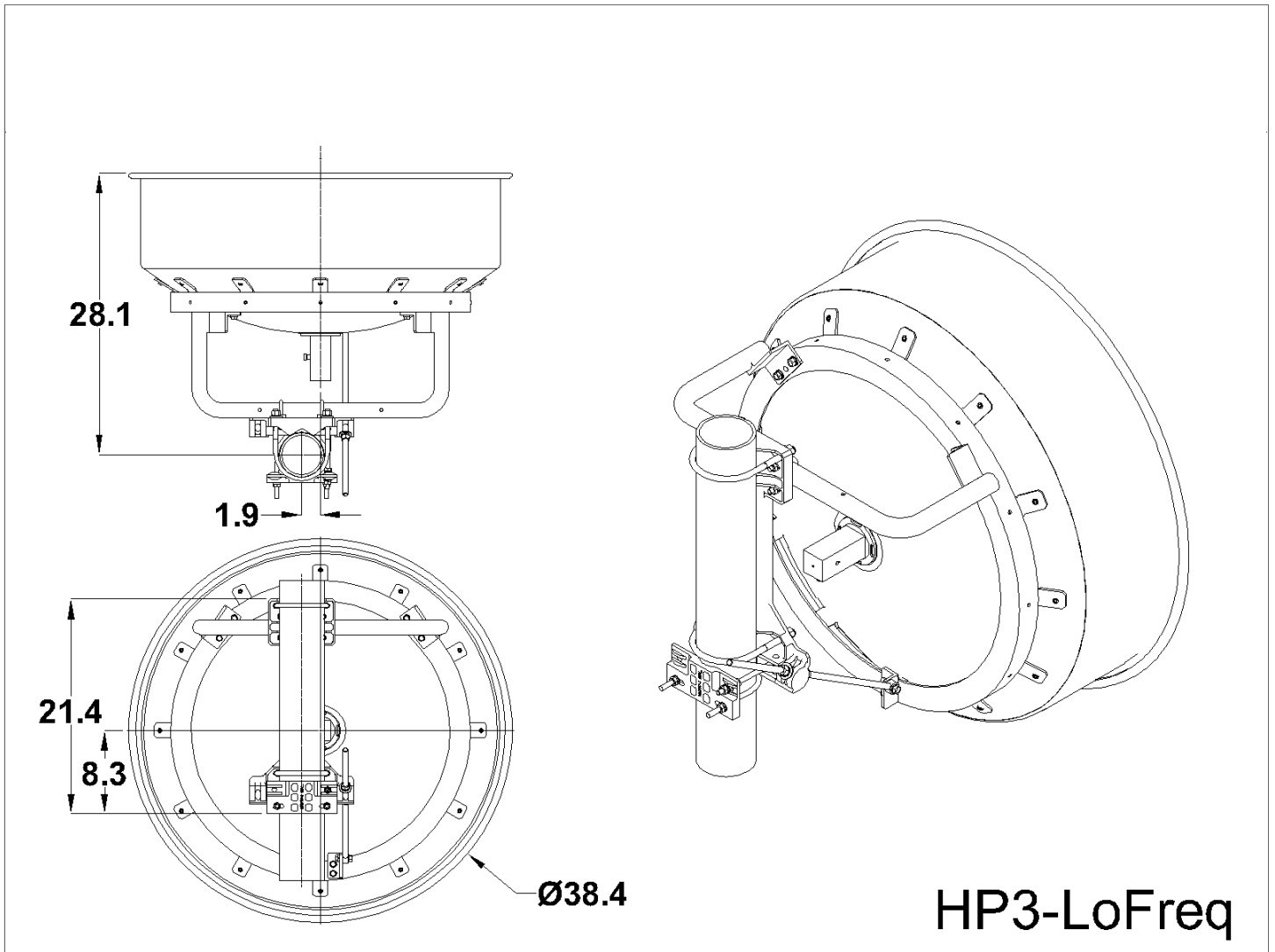
## Shipping Information

Package Type	Wood Crate
Gross Weight	143 lbs   69.8 kg

Dimensions, L x W x H	47 x 28 x 48in   119 x 71 x 122 cm
Shipping Volume	36.56 cu ft   1.04 cu m

\*Additional OEM interfaces and adapters may be available. Contact RadioWaves for a complete and current list of available adapters.

TECHNICAL DRAWINGS



HP3-LoFreq