

Accessory: Blanking Plate, used with Waveguide interface, omt's, couplers

104475-112CPR

SPECIFICATIONS

General

| | |
|-----------|--------------------------------------|
| Item | Accessory: Blanking Plate |
| Used With | Waveguide interface, omt's, couplers |

*Additional OEM interfaces and adapters may be available. Contact RadioWaves for a complete and current list of available adapters.

Mechanical

| | | | |
|--------------------------|-----------------|-----------------------------|--------------|
| Net Weight | consult factory | Operating Temperature Range | -40 to +60 C |
| Mechanical Configuration | BPLATE | | |

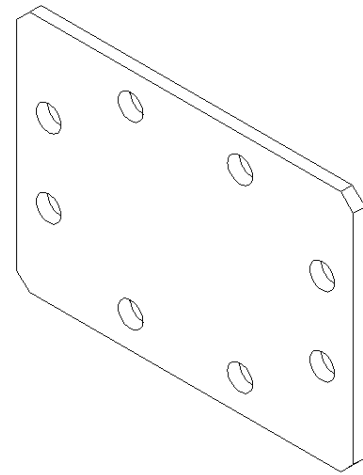
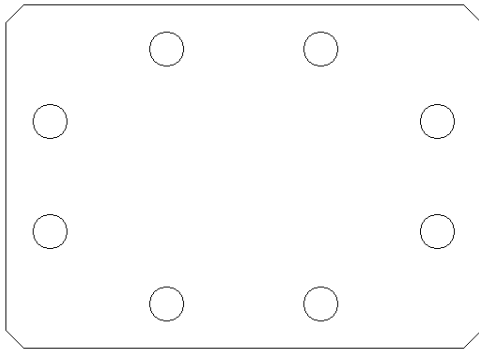
Regulatory Compliance

| | |
|----------------|-----|
| RoHS-compliant | Yes |
|----------------|-----|

Shipping Information

| | | | |
|--------------|-----------------|-----------------------|-----------------|
| Package Type | consult factory | Dimensions, L x W x H | consult factory |
| Gross Weight | consult factory | Shipping Volume | consult factory |

TECHNICAL DRAWINGS



OL-BPlate