

0.6 m | 2 ft High Performance Parabolic Reflector Antenna, Single-polarized, 12.7-13.25GHz



## HP2-13

The HP High Performance Series by RadioWaves offers a full line of high performance parabolic antennas engineered to provide ETSI class 2/3 radiation pattern performance as well as excellent gain. RadioWaves field-proven pre-assembled antennas and robust pole-mounts ensure “set and forget” installation with minimal post-installation maintenance. The included radome ensures robust and reliable performance under the most challenging conditions. If it’s rugged, it must be RadioWaves!

### FEATURES AND BENEFITS

- High Performance ETSI Class 2/3\* Parabolic Antennas – Excellent performance for a wide range of applications
- Fully Preassembled at the Factory – Simplifies installation on site and guarantees “factory-tested” quality

\*ETSI Class depends on frequency band

## SPECIFICATIONS

### General

Antenna Type	High Performance Parabolic Reflector Antenna
Size, nominal	2 ft   0.6 m
Polarization	Single

Standard RF Connector Type	WR75
Standard RF Connector Suffix	RS (append suffix to model number)

### Electrical

Operating Frequency Band	12.7 - 13.25 GHz
Half Power Beamwidth, Horizontal	2.8 degrees
Half Power Beamwidth, Vertical	2.8 degrees
Cross-Polarization Discrimination	30 dB
Front to Back Ratio (F/B)	62 dB

Gain, Low Frequency	35.8 dBi
Gain, Mid Frequency	35.9 dBi
Gain, High Frequency	36.1 dBi
VSWR	1.37:1
Return Loss	-16.1 dB

## Mechanical

Fine Azimuth Adjustment	+/- 10 degrees
Fine Elevation Adjustment	+/- 30 degrees
Mounting Pipe Diameter, Min	2 inch   5.08 cm
Mounting Pipe Diameter, Max	4.5 inch   11.4 cm
Net Weight	27 lbs   12.3 kg
Wind Velocity Operational	90 mph   145 km/h
Wind Velocity Survival Rating	125 mph   201 km/h

Mechanical Configuration	HP2
Axial Force (FA)	202 lbs   899 N
Side Force (FS)	100 lbs   445 N
Twisting Moment (MT)	194 ft-lbs   263 Nm
Operating Temperature Range	-40 to +60 C
Max Pressure, PSIG, (if waveguide interface)	5

## Regulatory Compliance

FCC	undeclared
Industry Canada Compliance	SRSP312.7 A

ETSI	302217 R1 C2
RoHS-compliant	Yes

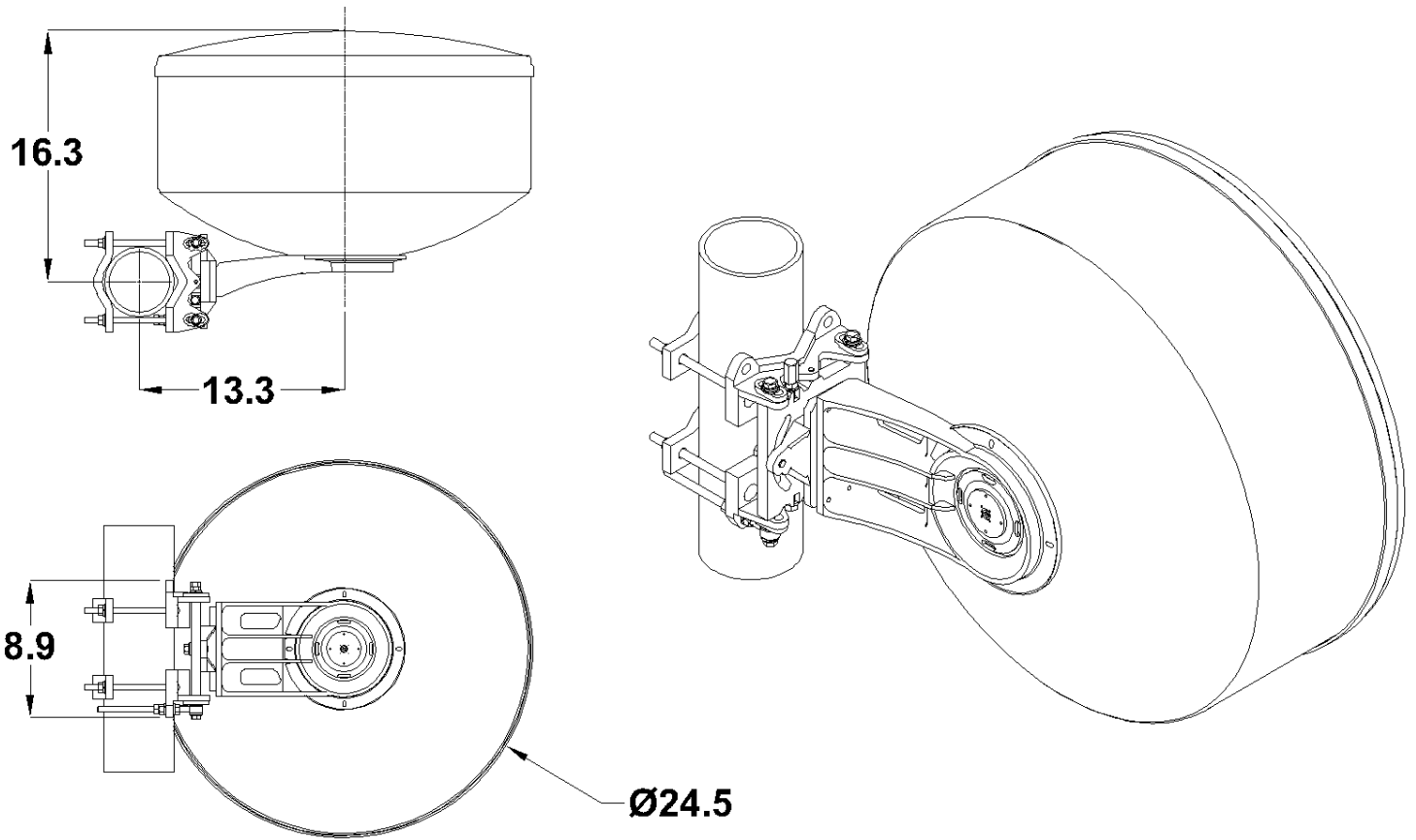
## Shipping Information

Package Type	Cardboard
Gross Weight	48 lbs   28.7 kg

Dimensions, L x W x H	31 x 31 x 25in   79 x 79 x 64 cm
Shipping Volume	13.9 cu ft   0.39 cu m

\*Additional OEM interfaces and adapters may be available. Contact RadioWaves for a complete and current list of available adapters.

TECHNICAL DRAWINGS



**HP2**