

1.2 | 4 ft. High Performance Parabolic Reflector Antenna, Dual Polarized, 4.9-6GHz

HPD4-5W



The HP High Performance 5W Series by RadioWaves offers a cost effective, dual polarized, 4 ft parabolic antenna engineered to deliver reliable radio links with a stable 35.1 dBi gain and enhanced protection from link interference over 4.9 to 6 GHz.

Designed for U-NII-1, -2, -3, -4 and public safety applications, RadioWaves field-proven pre-assembled HP antennas and robust pole-mounts ensure “set and forget” installation with minimal post-installation maintenance. If it’s rugged, it must be RadioWaves!

FEATURES AND BENEFITS

- Gain of up to 35.1 dBi with low VSWR and high port isolation across the entire 4.9-6 GHz band
- High Performance design offers reduced interference with 49 dB minimum front to back and suppressed side lobes
- One antenna that covers the entire unlicensed 5 GHz U-NII-1, -2, -3, -4 and public safety bands
- Fully powder-coated with rugged hardware built to survive the elements
- Includes low-profile UV-protected radome
- Dual N-type Connectors
- Fully Preassembled at the Factory – Simplifies installation on site and guarantees “factory-tested” quality

SPECIFICATIONS

General

Antenna Type	High Performance Parabolic Reflector Antenna
Size, nominal	4 ft 1.2 m
Polarization	Dual

Standard RF Connector Type	N-Female
Standard RF Connector Suffix	NS (append suffix to model number)

Electrical

Operating Frequency Band	4.9 - 6 GHz
Half Power Beamwidth, Horizontal	3 degrees
Half Power Beamwidth, Vertical	3 degrees
Cross-Polarization Discrimination	30 dB
Front to Back Ratio (F/B)	49 dB

Gain, Low Frequency	33.8 dBi
Gain, Mid Frequency	34.7 dBi
Gain, High Frequency	35.1 dBi
VSWR	1.5:1
Return Loss	-14 dB

Mechanical

Fine Azimuth Adjustment	+/- 10 degrees
Fine Elevation Adjustment	+/- 25 degrees
Mounting Pipe Diameter, Min	4.5 inch 11.4 cm
Mounting Pipe Diameter, Max	4.5 inch 11.4 cm
Net Weight	85 lbs 38.3 kg
Wind Velocity Operational	90 mph 145 km/h
Wind Velocity Survival Rating	125 mph 201 km/h

Mechanical Configuration	HP4-LoFreq
Axial Force (FA)	737 lbs 3278 N
Side Force (FS)	365 lbs 1623 N
Twisting Moment (MT)	784 ft-lbs 1063 Nm
Operating Temperature Range	-40 to +60C
Max Pressure, PSIG, (if waveguide interface)	5

Regulatory Compliance

Industry Canada Compliance	undeclared
RoHS-compliant	Yes

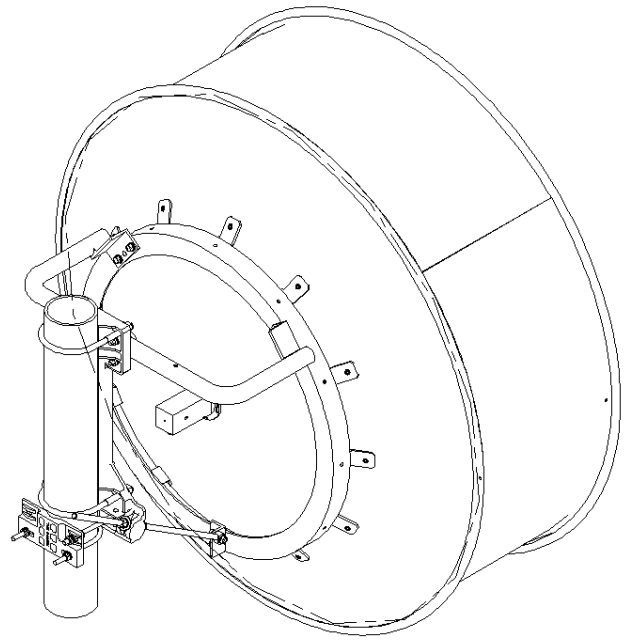
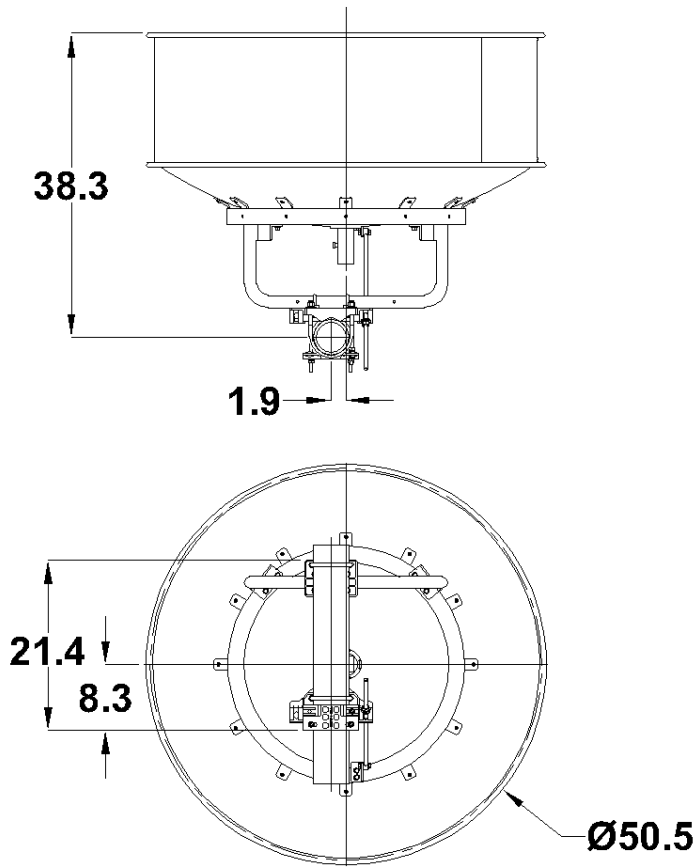
Shipping Information

Package Type	Wood Crate
Gross Weight	196 lbs 88.9 kg

Dimensions, L x W x H	59 x 35 x 60in 180 x 89 x 152 cm
Shipping Volume	71.7 cu ft 2.03 cu m

Contact RadioWaves Sales for alternate RF interface options. RadioWaves specializes in direct connect solutions for microwave radios.

TECHNICAL DRAWINGS



HP4-LoFreq