

0.9 | 3 ft. High Performance Parabolic Reflector Antenna, Dual Polarized, 4.9-6GHz



HPD3-5W

The HP High Performance 5W Series by RadioWaves offers a cost effective, dual polarized, 3 ft parabolic antenna engineered to deliver reliable radio links with a stable 32.8 dBi gain and enhanced protection from link interference over 4.9 to 6 GHz.

Designed for U-NII-1, -2, -3, -4 and public safety applications, RadioWaves field-proven pre-assembled HP antennas and robust pole-mounts ensure “set and forget” installation with minimal post-installation maintenance. If it’s rugged, it must be RadioWaves!

FEATURES AND BENEFITS

- Gain of up to 32.8 dBi with low VSWR and high port isolation across the entire 4.9-6 GHz band
- High Performance design offers reduced interference with 46 dB minimum front to back and suppressed side lobes
- One antenna that covers the entire unlicensed 5 GHz U-NII-1, -2, -3, -4 and public safety bands
- Fully powder-coated with rugged hardware built to survive the elements
- Includes low-profile UV-protected radome
- Dual N-type Connectors
- Fully Preassembled at the Factory – Simplifies installation on site and guarantees “factory-tested” quality

SPECIFICATIONS

General

| | |
|---------------|--|
| Antenna Type | High Performance Parabolic Reflector Antenna |
| Size, nominal | 3 ft 0.9 m |
| Polarization | Dual |

| | |
|------------------------------|------------------------------------|
| Standard RF Connector Type | N-Female |
| Standard RF Connector Suffix | NS (append suffix to model number) |

Electrical

| | |
|-----------------------------------|-------------|
| Operating Frequency Band | 4.9 - 6 GHz |
| Half Power Beamwidth, Horizontal | 4.2 degrees |
| Half Power Beamwidth, Vertical | 4.2 degrees |
| Cross-Polarization Discrimination | 30 dB |
| Front to Back Ratio (F/B) | 46 dB |

| | |
|----------------------|----------|
| Gain, Low Frequency | 31.5 dBi |
| Gain, Mid Frequency | 32.3 dBi |
| Gain, High Frequency | 32.8 dBi |
| VSWR | 1.5:1 |
| Return Loss | -14 dB |

Mechanical

| | |
|-------------------------------|--------------------|
| Fine Azimuth Adjustment | +/- 10 degrees |
| Fine Elevation Adjustment | +/- 25 degrees |
| Mounting Pipe Diameter, Min | 4.5 inch 11.4 cm |
| Mounting Pipe Diameter, Max | 4.5 inch 11.4 cm |
| Net Weight | 76 lbs 34.47 kg |
| Wind Velocity Operational | 90 mph 145 km/h |
| Wind Velocity Survival Rating | 125 mph 201 km/h |

| | |
|--|---------------------|
| Mechanical Configuration | HP3-LoFreq |
| Axial Force (FA) | 403 lbs 1972 N |
| Side Force (FS) | 200 lbs 890 N |
| Twisting Moment (MT) | 344 ft-lbs 466 Nm |
| Operating Temperature Range | -40 to +60C |
| Max Pressure, PSIG, (if waveguide interface) | 5 |

Regulatory Compliance

| | |
|----------------------------|------------|
| Industry Canada Compliance | undeclared |
| RoHS-compliant | Yes |

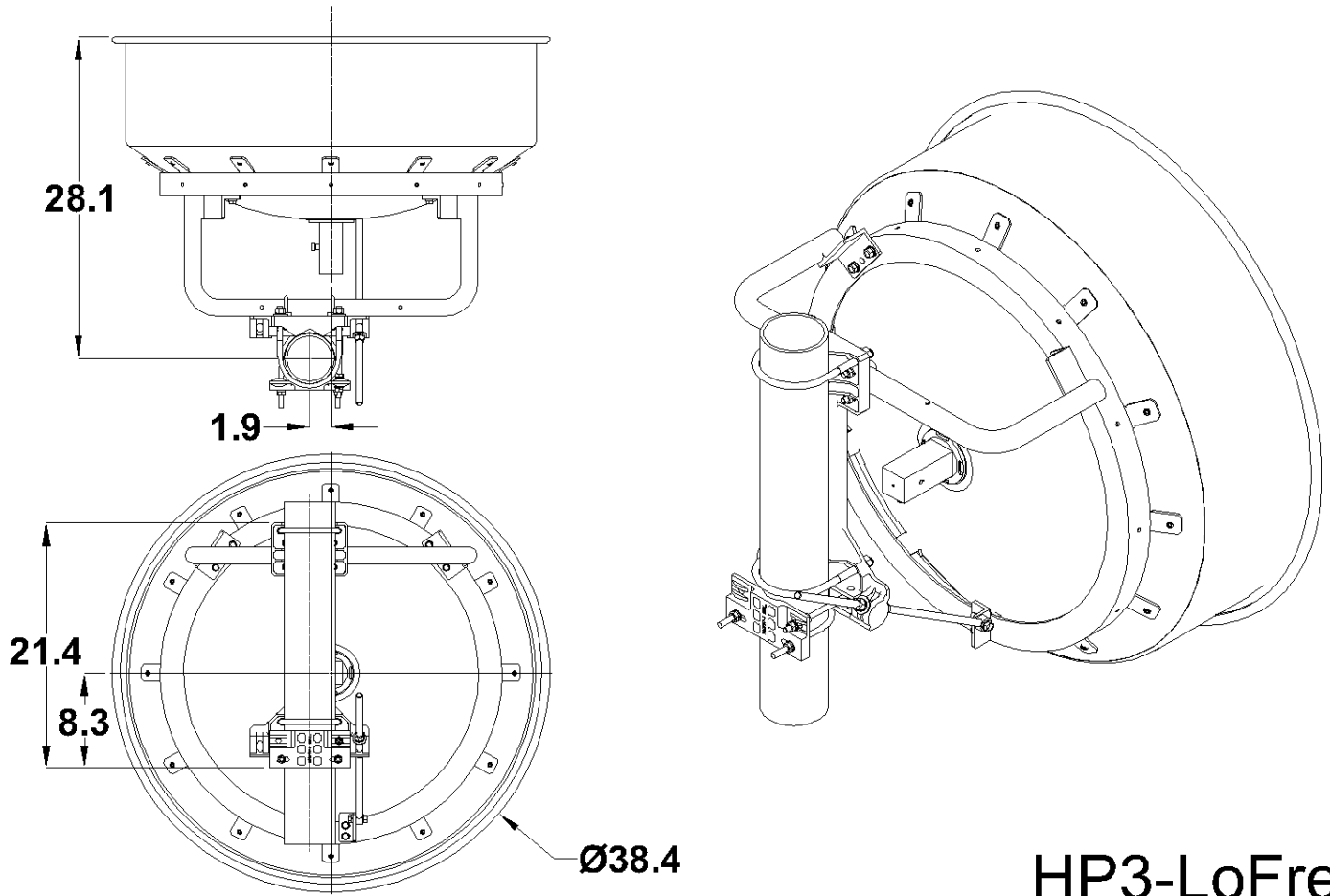
Shipping Information

| | |
|--------------|-------------------|
| Package Type | Wood Crate |
| Gross Weight | 143 lbs 69.8 kg |

| | |
|-----------------------|------------------------------------|
| Dimensions, L x W x H | 47 x 28 x 48in 119 x 71 x 122 cm |
| Shipping Volume | 36.6 cu ft 1.04 cu m |

Contact RadioWaves Sales for alternate RF interface options. RadioWaves specializes in direct connect solutions for microwave radios.

TECHNICAL DRAWINGS



HP3-LoFreq