

0.9 m | 3 ft High Performance Parabolic Reflector Antenna, Dual-polarized, 17.7-19.7GHz



HPD3-18

SPECIFICATIONS

General

| | |
|---------------|----------------------------------------------|
| Antenna Type | High Performance Parabolic Reflector Antenna |
| Size, nominal | 3 ft 0.9 m |
| Polarization | Dual |

| | |
|------------------------------|------------------------------------|
| Standard RF Connector Type | WR42 |
| Standard RF Connector Suffix | RS (append suffix to model number) |

Electrical

| | |
|-----------------------------------|-----------------|
| Operating Frequency Band | 17.7 - 19.7 GHz |
| Half Power Beamwidth, Horizontal | 1.3 degrees |
| Half Power Beamwidth, Vertical | 1.3 degrees |
| Cross-Polarization Discrimination | 30 dB |
| Front to Back Ratio (F/B) | 69 dB |

| | |
|----------------------|----------|
| Gain, Low Frequency | 41.6 dBi |
| Gain, Mid Frequency | 42.3 dBi |
| Gain, High Frequency | 42.5 dBi |
| VSWR | 1.37:1 |
| Return Loss | -16.1 dB |

Mechanical

| | |
|-------------------------------|--------------------|
| Fine Azimuth Adjustment | +/- 10 degrees |
| Fine Elevation Adjustment | +/- 10 degrees |
| Mounting Pipe Diameter, Min | 2.5 inch 5.1 cm |
| Mounting Pipe Diameter, Max | 4.5 inch 11.4 cm |
| Net Weight | 50 lbs 12.3 kg |
| Wind Velocity Operational | 90 mph 145 km/h |
| Wind Velocity Survival Rating | 125 mph 201 km/h |

| | |
|----------------------------------------------|---------------------|
| Mechanical Configuration | HP3 |
| Axial Force (FA) | 403 lbs 1792 N |
| Side Force (FS) | 200 lbs 890 N |
| Twisting Moment (MT) | 344 ft-lbs 466 Nm |
| Operating Temperature Range | -40 to +60 C |
| Max Pressure, PSIG, (if waveguide interface) | 5 |

Regulatory Compliance

| | |
|----------------------------|-----------------|
| FCC | Part 101 Cat. A |
| Industry Canada Compliance | SRSP317.8 A |

| | |
|----------------|--------------|
| ETSI | 302217 R2 C3 |
| RoHS-compliant | Yes |

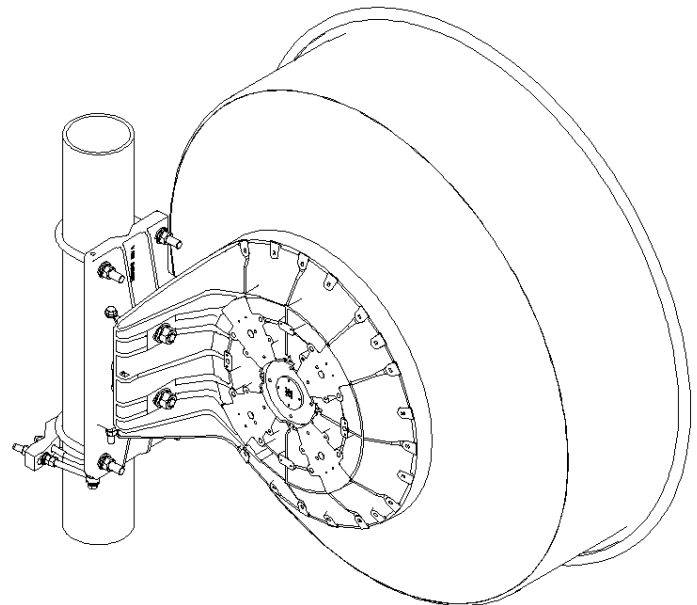
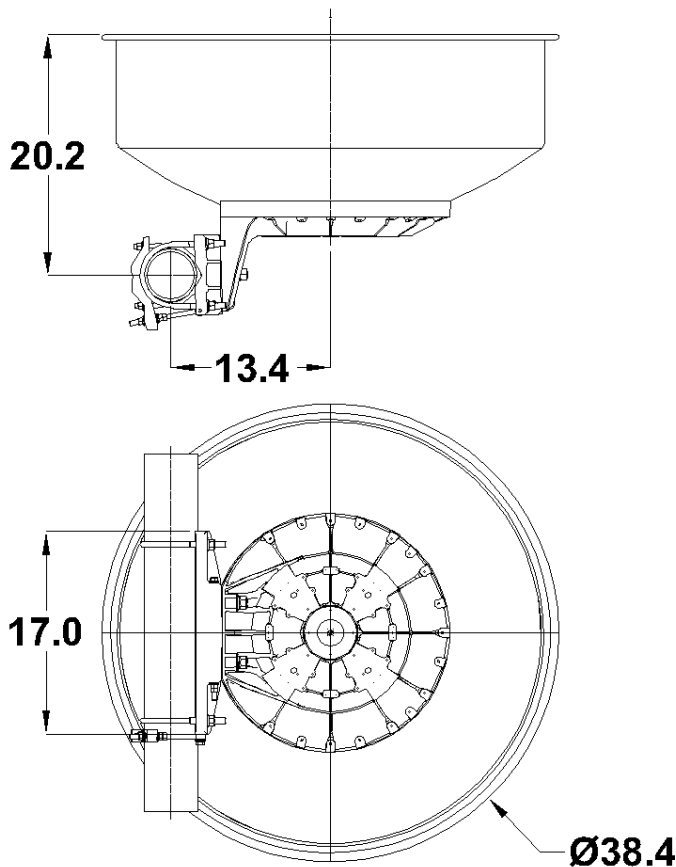
Shipping Information

| | |
|--------------|-------------------|
| Package Type | Wood Crate |
| Gross Weight | 143 lbs 69.8 kg |

| | |
|-----------------------|------------------------------------|
| Dimensions, L x W x H | 47 x 28 x 48in 119 x 71 x 122 cm |
| Shipping Volume | 36.56 cu ft 1.04 cu m |

*Additional OEM interfaces and adapters may be available. Contact RadioWaves for a complete and current list of available adapters.

TECHNICAL DRAWINGS



HP3

