

0.9 m | 3 ft High Performance Parabolic Reflector Antenna, Single-polarized, 1.9-2.3GHz, STD-NS



## HP3-2.1NS

The HP High Performance Series by RadioWaves offers a full line of high performance parabolic antennas engineered to deliver reliable radio links with excellent gain. Designed for both unlicensed and licensed band applications, RadioWaves field-proven preassembled HP antennas and robust pole-mounts ensure “set and forget” installation with minimal post-installation maintenance. If it’s rugged, it must be RadioWaves!

### FEATURES AND BENEFITS

- High Performance Parabolic Antennas – Excellent performance for a wide range of licensed and unlicensed applications.
- Fully Preassembled at the Factory – Simplifies installation on site and guarantees “factory-tested” quality.

### General Specifications

Antenna Type	High Performance Parabolic Reflector Antenna
Size, nominal	3 ft   0.9 m

Polarization	Single
--------------	--------

### Electrical Specifications

Operating Frequency Band	1.9 - 2.3 GHz
Half Power Beamwidth, Horizontal	11 degrees
Half Power Beamwidth, Vertical	11 degrees
Cross-Polarization Discrimination	30 dB
Front to Back Ratio (F/B)	36 dB

Gain, Low Frequency	23 dBi
Gain, High Frequency	24 dBi
VSWR	2.5:1
Return Loss	-7.4 dB

## Mechanical Specifications

Fine Azimuth Adjustment	+/- 10 degrees
Fine Elevation Adjustment	+/- 25 degrees
Mounting Pipe Diameter, Min	2.5 inch   5.1 cm
Mounting Pipe Diameter, Max	4.5 inch   11.4 cm
Net Weight	50 lbs   12.3 kg
Wind Velocity Operational	90 mph   145 Km/h

Wind Velocity Survival Rating	125 mph   201 Km/h
Axial Force (FA)	403 lbs   1972 N
Side Force (FS)	200 lbs   890 N
Twisting Moment (MT)	344 ft-lbs   466 Nm
Operating Temperature Range	-40 to +70 deg. C

## Regulatory Compliance

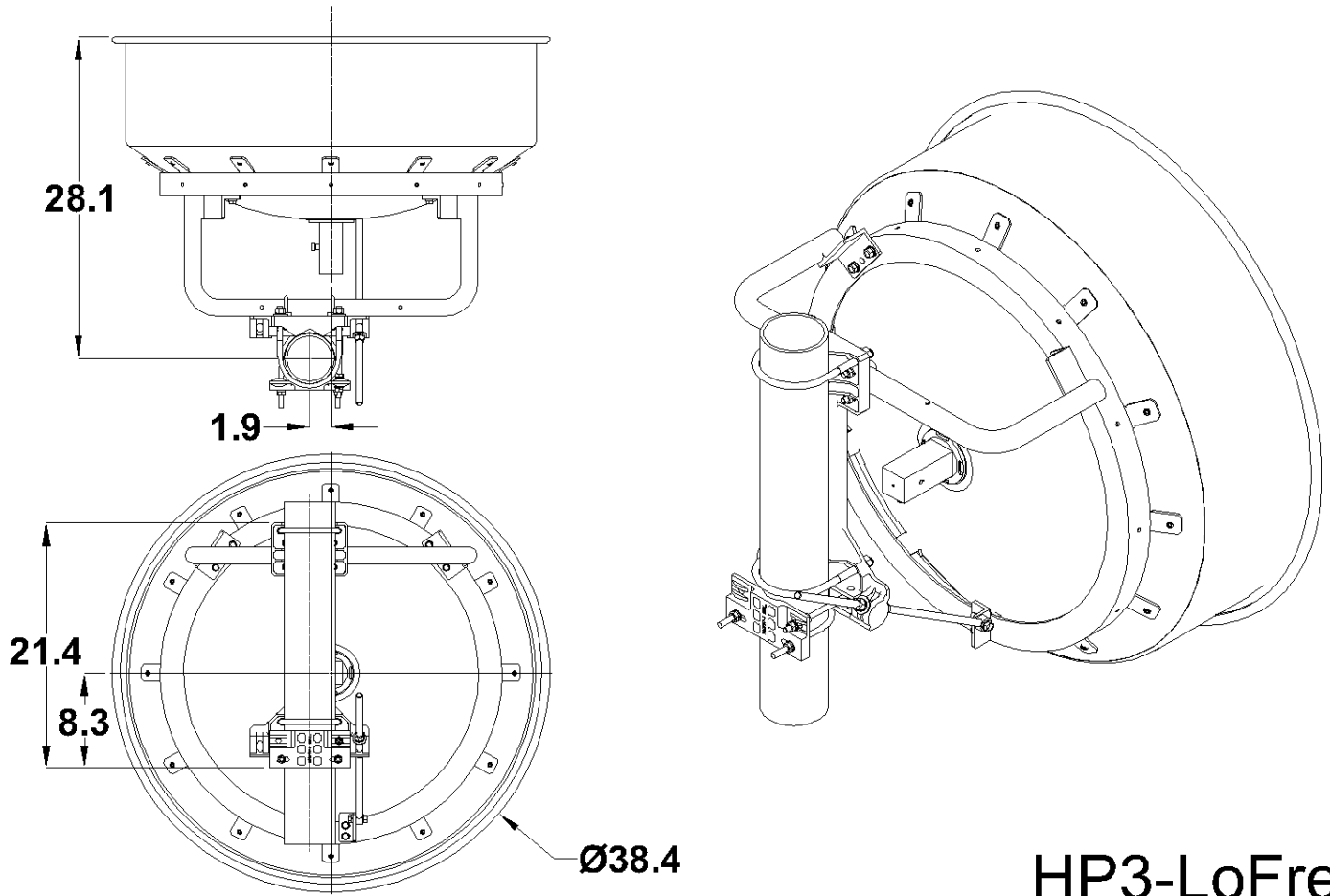
RoHS-compliant	Yes
----------------	-----

## Shipping Information

Package Type	Wood Crate
Gross Weight	143 lbs   69.8 kg

Dimensions, L x W x H	47 x 28 x 48in   119 x 71 x 122 cm
Shipping Volume	36.56 cu ft   1.04 cu m

TECHNICAL DRAWINGS



HP3-LoFreq