

0.6m | 2ft. Grid Parabolic Antenna, Dual-Polarized, 2.3 to 2.7 GHz

MPD2-2.3-NM



The RadioWaves MPD2-2.3-NM is a high performance Wi-Fi Mesh Parabolic Dish antenna specifically designed for point to point communication. RadioWaves' MPD2-2.3-NM has 20 to 21 dBi gain and can be used to broadcast 2.4 GHz Wi-Fi or unlicensed signals. The MPD2-2.3-NM operates from 2300 to 2700 MHz which is ideal for Industrial, Medical, Science or other unlicensed applications including IEEE 802.11b/g/n Wireless LAN, Wireless Bridge and Backhaul. The Multiport design of the RadioWaves MPD2-2.3-NM antenna enables 2x2 mimo applications.

The MPD2-2.3-NM from RadioWaves has directional patterns with Dual Slant ($\pm 45^\circ$) polarization and features 2 x Type N Male connectors. The Type N connectorized MPD2-2.3-NM antenna from RadioWaves is designed specifically for outdoor operation and is ideal for point-to-point use in large open areas such as base station installations or backhaul. The included mounting bracket and hardware makes this antenna very easy to install. This Wi-Fi Mesh Parabolic Dish antenna just like our wide selection of superior quality RF parts, ship same day. Contact our knowledgeable and friendly technical support and sales staff for your answers on antennas or other RadioWaves products.

Features

- Low Windload Mesh Design
- +/-45 Slant Polarization
- 22 dBi Gain
- 2x2 MIMO
- Type N Male Connector

Applications

- IEEE 802.11b/g/n wireless LAN, WiFi systems
- Long range directional applications
- 2.4 GHz ISM band
- Point-to-point and point-to-multi-point applications
- Wireless bridges and backhaul applications

SPECIFICATIONS

General

Antenna Type	Mesh Parabolic Reflector Antenna
Size, nominal	2 ft 0.6 m

Polarization	Dual
Standard RF Connector Type	N-Female

Electrical

Operating Frequency Band	2.3 - 2.7 GHz
Half Power Beamwidth, Horizontal	14 degrees
Half Power Beamwidth, Vertical	14 degrees
Front to Back Ratio (F/B)	25 dB
Gain, Low Frequency	20 dBi
Gain, Mid Frequency	20.5 dBi

Gain, High Frequency	21 dBi
VSWR	2.0:1
Return Loss	-10 dB
Port to Port Isolation, Max (dB)	20 dB
Input Power per Port, Max (Watts)	50 Watts

Mechanical

Fine Elevation Adjustment	+/- 30 degrees
Mounting Pipe Diameter, Min	1.2 inch 3 cm
Mounting Pipe Diameter, Max	1.8 inch 5 cm
Net Weight	4.4 lbs 2 kg
Wind Velocity Operational	90 mph 145 km/h
Wind Velocity Survival Rating	125 mph 201 km/h

Mechanical Configuration	MPD2-2-3NM
Axial Force (FA)	222 lbs 988 N
Side Force (FS)	14 lbs 62 N
Twisting Moment (MT)	225 ft-lbs 305 Nm
Operating Temperature Range	-40 to +60 C

Regulatory Compliance

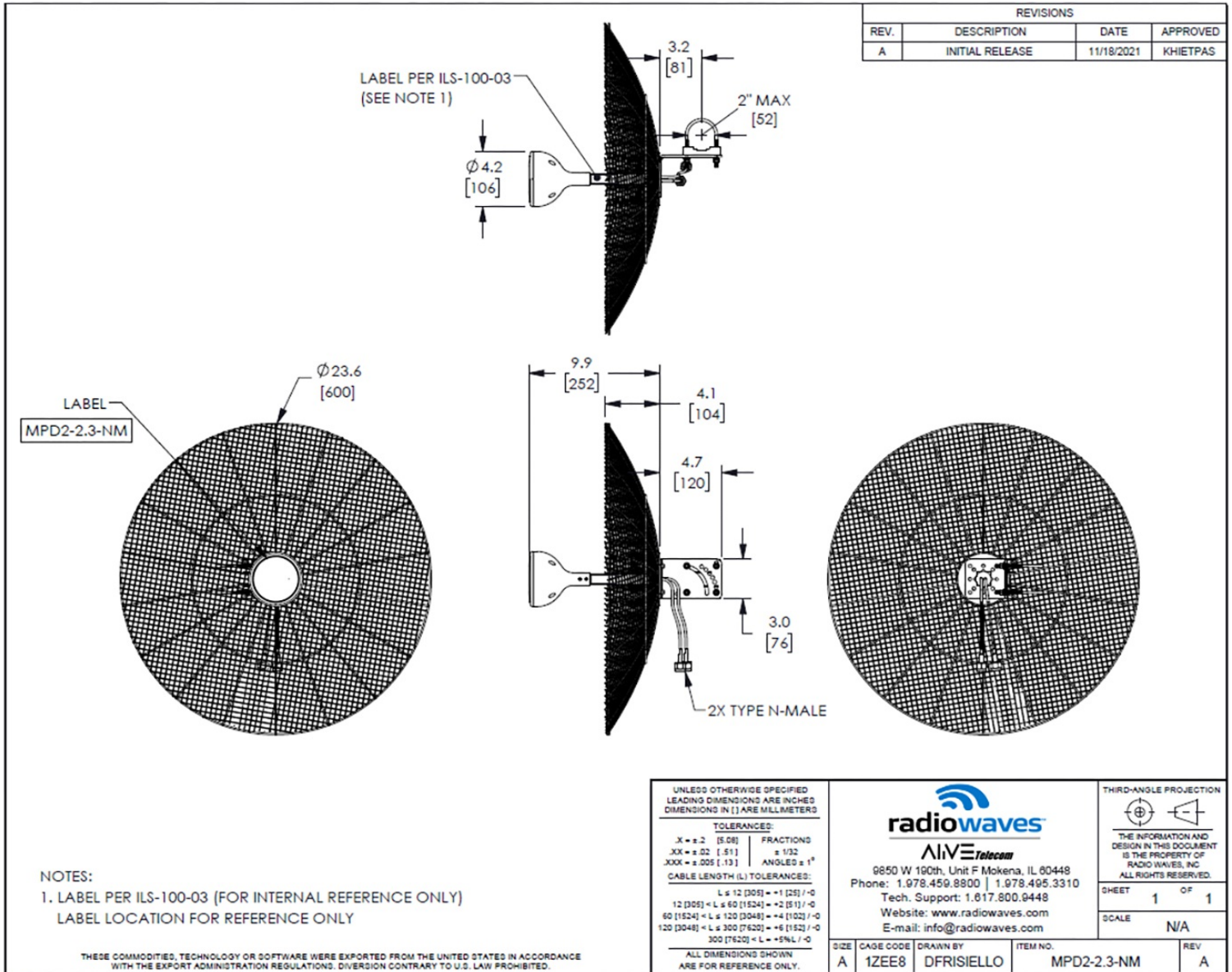
Industry Canada Compliance	undeclared
RoHS-compliant	Yes

Shipping Information

Package Type	Cardboard
Gross Weight	6 lbs 2.7 kg

Dimensions, L x W x H	28 x 8 x 28in 71 x 20 x 71 cm
Shipping Volume	3.62 cu ft 0.1 cu m

TECHNICAL DRAWINGS



T-Rev D