

0.6 m | 2 ft. Grid Parabolic Reflector Antenna, Dual-Polarized, 2.3 to 2.7 GHz

## MPD2-2.3



The RadioWaves MPD2-2.3 is a high performance WiFi Mesh Parabolic Dish antenna specifically designed for point to point communication. RadioWaves' MPD2-2.3 has 20 to 21 dBi gain and can be used to broadcast 2.4 GHz Wi-Fi or unlicensed signals. The MPD2-2.3 operates from 2300 to 2700 MHz which is ideal for Industrial, Medical, Science or other unlicensed applications including IEEE 802.11b/g/n Wireless LAN, Wireless Bridge and Backhaul. The Multiport design of the RadioWaves MPD2-2.3 antenna enables 2x2 mimo applications.

The MPD2-2.3 from RadioWaves has directional patterns with Dual Slant ( $\pm 45^\circ$ ) polarization and features 2 x Type N Female connectors. The Type N connectorized MPD2-2.3 antenna from RadioWaves is designed specifically for outdoor operation and is ideal for point-to-point use in large open areas such as base station installations or backhaul. The included mounting bracket and hardware makes this antenna very easy to install. This Wi-Fi Mesh Parabolic Dish antenna just like our wide selection of superior quality RF parts, ship same day. Contact our knowledgeable and friendly technical support and sales staff for your answers on antennas or other RadioWaves products.

### Features

- Low Windload Mesh Design
- +/-45 Slant Polarization
- 22 dBi Gain
- 2x2 MIMO
- Type N Female Connector

### Applications

- IEEE 802.11b/g/n wireless LAN, WiFi systems
- Long range directional applications
- 2.4 GHz ISM band
- Point-to-point and point-to-multi-point applications
- Wireless bridges and backhaul applications

## SPECIFICATIONS

### General

Antenna Type	Mesh Parabolic Reflector Antenna
Size, nominal	2 ft   0.6 m

Polarization	Dual
Standard RF Connector Type	N-Female

### Electrical

Operating Frequency Band	2.3 - 2.7 GHz
Half Power Beamwidth, Horizontal	14 degrees
Half Power Beamwidth, Vertical	14 degrees
Front to Back Ratio (F/B)	25 dB
Gain, Low Frequency	20 dBi

Gain, Mid Frequency	20.5 dBi
Gain, High Frequency	21 dBi
VSWR	2.0:1
Port to Port Isolation, Max (dB)	20 dB
Input Power per Port, Max (Watts)	50 Watts

### Mechanical

Fine Elevation Adjustment	+/- 30 degrees
Mounting Pipe Diameter, Min	1.2 inch   3 cm
Mounting Pipe Diameter, Max	1.8 inch   5 cm
Net Weight	4.4 lbs   2 kg
Wind Velocity Operational	90 mph   145 km/h
Wind Velocity Survival Rating	125 mph   201 km/h

Mechanical Configuration	MPD2-2-3
Axial Force (FA)	222 lbs   988 N
Side Force (FS)	14 lbs   62 N
Twisting Moment (MT)	225 ft-lbs   305 Nm
Operating Temperature Range	-40 to +60 C

### Regulatory Compliance

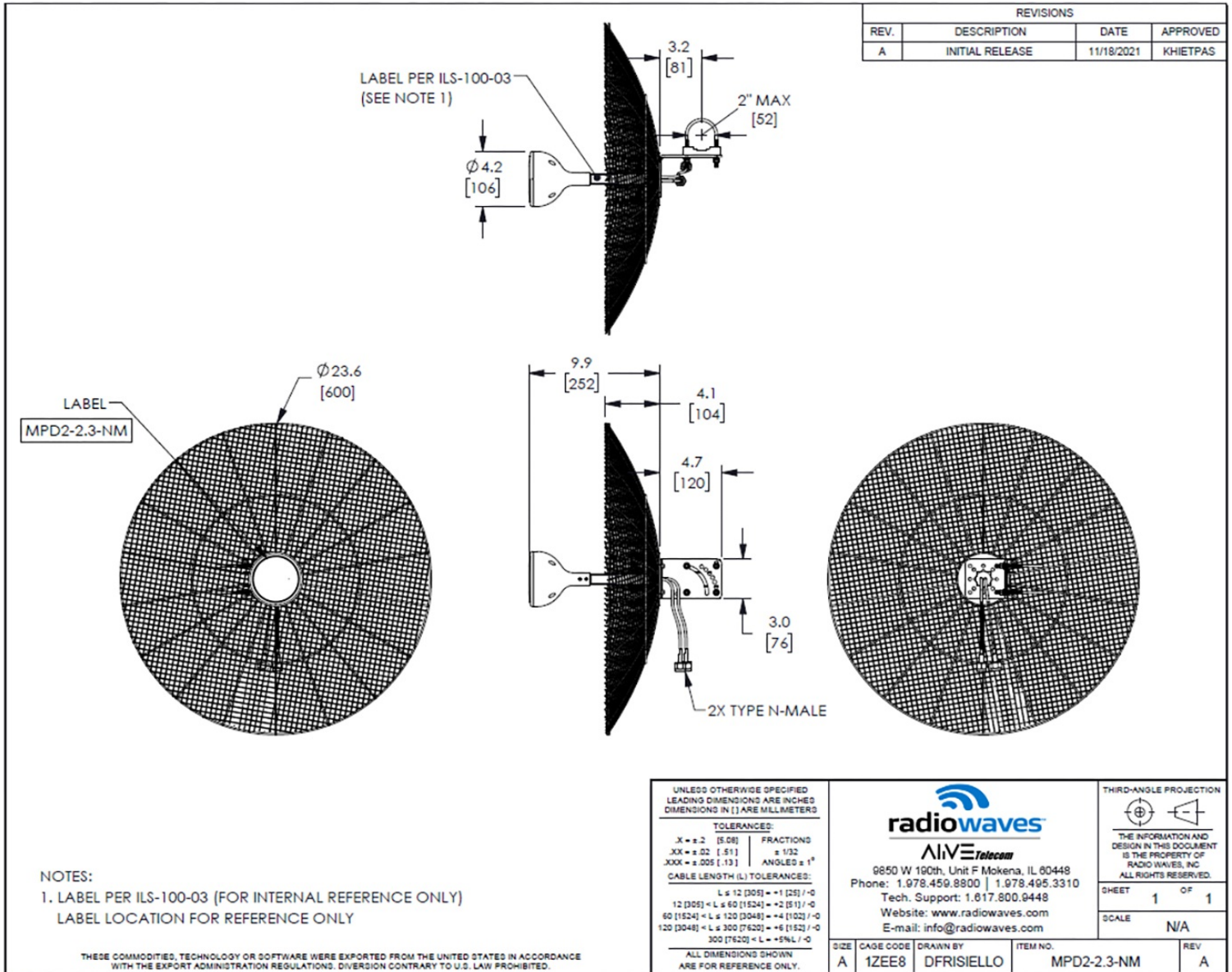
Industry Canada Compliance	undeclared
RoHS-compliant	Yes

### Shipping Information

Package Type	Cardboard
Gross Weight	6 lbs   2.7 kg

Dimensions, L x W x H	28 x 8 x 28in   71 x 20 x 71 cm
Shipping Volume	3.62 cu ft   0.1 cu m

TECHNICAL DRAWINGS



REVISIONS

REV.	DESCRIPTION	DATE	APPROVED
A	INITIAL RELEASE	11/18/2021	KHIETPAS

Labels: LABEL PER ILS-100-03 (SEE NOTE 1), LABEL MPD2-2.3-NM, 2X TYPE N-MALE

Dimensions (Inches [Millimeters]):

- 3.2 [81]
- 2" MAX [52]
- 3.0 [76]
- 9.9 [252]
- 4.1 [104]
- 4.7 [120]
- 4.2 [106]
- 23.6 [600]

NOTES:

- LABEL PER ILS-100-03 (FOR INTERNAL REFERENCE ONLY)  
LABEL LOCATION FOR REFERENCE ONLY

UNLESS OTHERWISE SPECIFIED LEADING DIMENSIONS ARE INCHES DIMENSIONS IN [ ] ARE MILLIMETERS

TOLERANCING:

.X = ±.2 [5.08]	FRACTIONS
.XX = ±.02 [51]	± 1/32
.XXX = ±.005 [1.27]	ANGLE ± 1°

CABLE LENGTH (L) TOLERANCES:

L ≤ 12 [305]	± 1 [25] / -0
12 [305] < L ≤ 60 [1524]	± 2 [51] / -0
60 [1524] < L ≤ 120 [3048]	± 4 [102] / -0
120 [3048] < L ≤ 300 [7620]	± 6 [152] / -0
300 [7620] < L	± 5% L / -0

ALL DIMENSIONS SHOWN ARE FOR REFERENCE ONLY.

THIRD-ANGLE PROJECTION

THE INFORMATION AND DESIGN IN THIS DOCUMENT IS THE PROPERTY OF RADIO WAVES, INC. ALL RIGHTS RESERVED.

8850 W 190th, Unit F Mokena, IL 60448  
Phone: 1.978.459.8800 | 1.978.495.3310  
Tech. Support: 1.617.800.0448  
Website: www.radiowaves.com  
E-mail: info@radiowaves.com

SIZE	CAGE CODE	DRAWN BY	ITEM NO.	REV
A	1ZEE8	DFRISIELLO	MPD2-2.3-NM	A

THESE COMMODITIES, TECHNOLOGY OR SOFTWARE WERE EXPORTED FROM THE UNITED STATES IN ACCORDANCE WITH THE EXPORT ADMINISTRATION REGULATIONS. DIVERSION CONTRARY TO U.S. LAW PROHIBITED.

T-Rev D