

0.9 m | 3 ft Standard Performance Parabolic Reflector Antenna, Dual-polarized, 1.9-2.3 GHz

**SPD3-2.1**



The SP Standard Performance Series by RadioWaves offers a full line of cost effective standard performance parabolic antennas engineered to deliver reliable radio links. Designed for both unlicensed and licensed band applications, RadioWaves field-proven pre-assembled SP antennas and robust pole-mounts ensure “set and forget” installation with minimal post-installation maintenance. If it’s rugged, it must be RadioWaves!

**FEATURES AND BENEFITS**

- Standard Performance Parabolic Antennas – Excellent performance for a wide range of licensed and unlicensed applications
- Fully Preassembled at the Factory – Simplifies installation on site and guarantees “factory-tested” quality

**SPECIFICATIONS**

**General**

Antenna Type	Standard Performance Parabolic Reflector Antenna
Size, nominal	3 ft   0.9 m
Polarization	Dual

Standard RF Connector Type	N-Female
Standard RF Connector Suffix	NS (append suffix to model number)

**Electrical**

Operating Frequency Band	1.9 - 2.3 GHz
Cross-Polarization Discrimination	30 dB
Front to Back Ratio (F/B)	29 dB
Gain, Low Frequency	22.1 dBi

Gain, Mid Frequency	23 dBi
Gain, High Frequency	23.8 dBi
VSWR	1.5:1
Return Loss	-14 dB

## Mechanical

Fine Azimuth Adjustment	+/- 10 degrees	
Fine Elevation Adjustment	+/- 25 degrees	
Mounting Pipe Diameter, Min	4.5 inch   11.4 cm	
Mounting Pipe Diameter, Max	4.5 inch   11.4 cm	
Net Weight	35 lbs   15.8 kg	43 lbs   19.4 Kg with RD radome
Wind Velocity Operational	90 mph   145 km/h	

Wind Velocity Survival Rating	125 mph   201 km/h	
Mechanical Configuration	SP3	
Axial Force (FA)	492 lbs   2189 N	271 lbs   1206 Nm with RD radome
Side Force (FS)	40 lbs   178 N	64 lbs   285 Nm with RD radome
Twisting Moment (MT)	545 ft-lbs   739 Nm	394 lbs   534 Nm with RD radome
Operating Temperature Range	-40 to+60 C	

## Regulatory Compliance

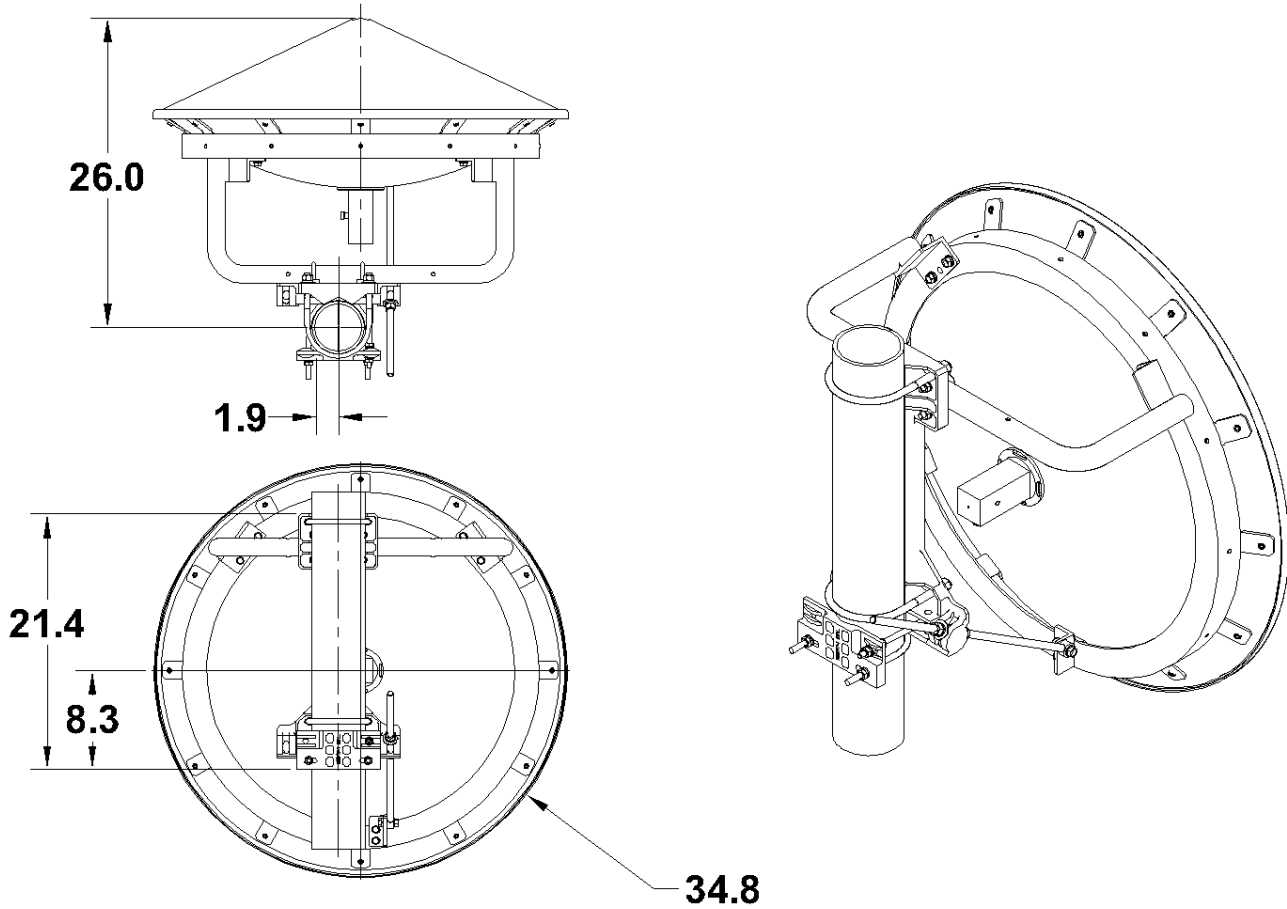
Industry Canada Compliance	SRSP302.0 D
RoHS-compliant	Yes

## Shipping Information

Package Type	Wood Crate
Gross Weight	78 lbs   35.3 kg

Dimensions, L x W x H	40 x 17 x 44in   101 x 43 x 140 cm
Shipping Volume	17.3 cu ft   0.49 cu m

TECHNICAL DRAWINGS



**SP3**