

FPD1-3.5-14

0.3M | 1FT. FLAT PANEL ANTENNA, DUAL-POLARIZED, 3.3-4.2GHZ

The RadioWaves high performance flat panel antenna FPD1-3.5-14 is engineered for superior performance rugged environments with a low profile aesthetically pleasing design. Measuring 7.5" x 7.5" this antenna is extremely compact and toughened to stand up to all environments.

The FPD1-3.5-14 has 7.5 to 9 dBi gain, features 45° Horizontal Beamwidth and 40° Vertical Beamwidth patterns with Vertical + Horizontal polarization and includes 2 x Type N Female connectors. The 3500-4200 MHz FPD1-3.5-14 is rugged, weatherproof and features a heavy-duty UV-resistant plastic radome for all-weather operation.

The FPD1-3.5-14 is ideal for Point to Point applications where form factor is a concern and coverage of extended CBRS is necessary. The 2 x Type N Female connectorized FPD1-3.5-14 antenna from RadioWaves has mounting bracket and hardware for ease of installation.



Features

- Dual Polarity feed system in single enclosure
- Includes tilt and swivel mast mounting
- Two integral N-Female connectors
- UV-resistant radome for all-weather operation
- MIMO - Multiple-Input and Multiple-Output

Applications

- 3.5 GHz Band Applications
- SOFDMA
- CBRS and Extended CBRS
- Wireless Internet Provider "cell" sites
- Wireless LAN systems & IEEE 802.16e Applications

SPECIFICATIONS

General

Antenna Type	Flat Panel Antenna
Size, nominal	1 ft 0.3 m

Polarization	Dual
Standard RF Connector Type	N-Female

Electrical

Operating Frequency Band	3.3 - 4.2 GHz
Half Power Beamwidth, Horizontal	45 degrees
Half Power Beamwidth, Vertical	40 degrees
Front to Back Ratio (F/B)	25 dB

Gain, Mid Frequency	14 dBi
VSWR	2.0:1
Return Loss	-10 dB
Port to Port Isolation, Max (dB)	25 dB

Mechanical

Fine Elevation Adjustment	+/- 10 degrees
Mounting Pipe Diameter, Min	2 inch 5.1 cm
Mounting Pipe Diameter, Max	2.5 inch 6.4 cm
Net Weight	5 lbs 2.3 kg
Wind Velocity Operational	90 mph 145 km/h

Wind Velocity Survival Rating	125 mph 201 km/h
Mechanical Configuration	FPD1-3-5
Axial Force (FA)	49 lbs 220 N
Operating Temperature Range	-40 to +60 C

Regulatory Compliance

Industry Canada Compliance	undeclared
RoHS-compliant	Yes

Shipping Information

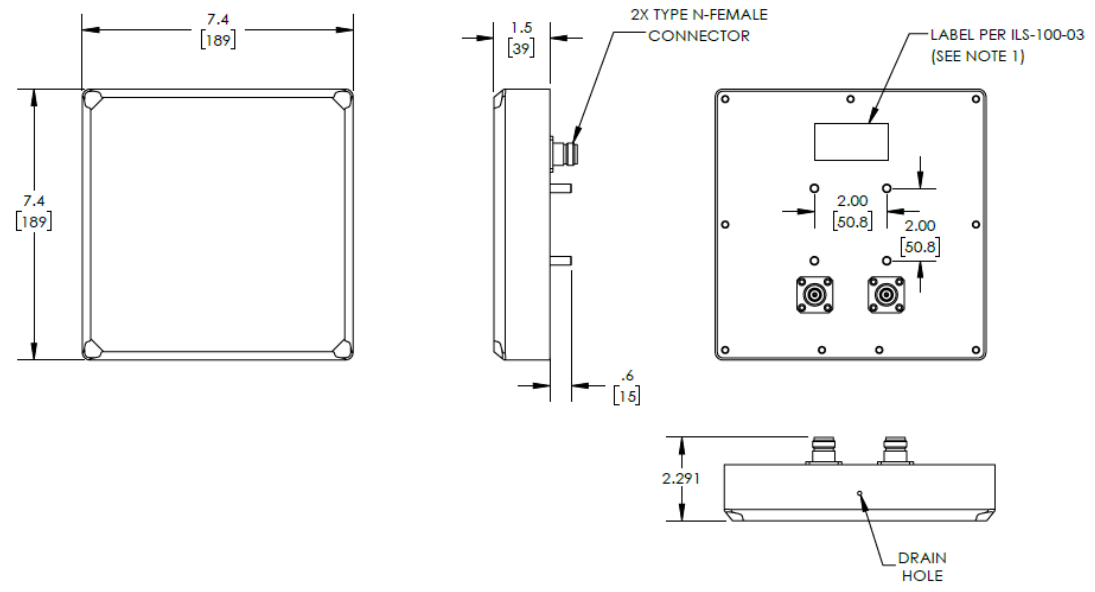
Package Type	Cardboard
Gross Weight	8 lbs 1.8 kg

Dimensions, L x W x H	12 x 12 x 6in 40 x 40 x 12 cm
Shipping Volume	0.7 cu ft 0.02 cu m

Contact RadioWaves for alternate RF interface options.

TECHNICAL DRAWINGS

REVISIONS			
REV.	DESCRIPTION	DATE	APPROVED
A	INITIAL RELEASE	04/22/2021	KHIETPAS




NOTES:
 1. LABEL PER ILS-100-03 (FOR INTERNAL REFERENCE ONLY)
 LABEL LOCATION FOR REFERENCE ONLY

UNLESS OTHERWISE SPECIFIED LEADING DIMENSIONS ARE INCHES DIMENSIONS IN [] ARE MILLIMETERS

TOLERANCES:
 .X = ±.2 [5.08] FRACTIONS ± 1/32
 XX = ±.02 [51] ANGLES ± 1°
 XXX = ±.005 [13]

CABLE LENGTH (L) TOLERANCES:
 L ≤ 12 [305] = +1 [25] / -0
 12 [305] < L ≤ 60 [1524] = +2 [51] / -0
 60 [1524] < L ≤ 120 [3048] = +4 [102] / -0
 120 [3048] < L ≤ 300 [7620] = +8 [203] / -0
 300 [7620] < L = +5%L / -0

ALL DIMENSIONS SHOWN ARE FOR REFERENCE ONLY.


 an INFINIT® brand
 40 High Street, North Andover, MA 01862, USA.
 Phone: 1.978.459.8800 | 1.978.495.3310
 Tech. Support: 1.817.800.9448
 Website: www.radiowaves.com
 E-mail: info@radiowaves.com

THIRD-ANGLE PROJECTION

THE INFORMATION AND DESIGN IN THIS DOCUMENT IS THE PROPERTY OF RADIO WAVES, INC. ALL RIGHTS RESERVED.

SHEET 1 OF 1
 SCALE N/A

SIZE	CAGE CODE	DRAWN BY	ITEM NO.	REV
A	1XCET	BPUCHASKI	FPD1-3.5-14	A

THESE COMMODITIES, TECHNOLOGY OR SOFTWARE WERE EXPORTED FROM THE UNITED STATES IN ACCORDANCE WITH THE EXPORT ADMINISTRATION REGULATIONS. DIVERSION CONTRARY TO U.S. LAW PROHIBITED.

T-Rev D