

0.3 m | 1 ft High Performance Parabolic Reflector Antenna, Dual-polarized, 17.7-19.7GHz

HPLPD1-18



The HP High Performance Series by RadioWaves offers a full line of high performance parabolic antennas engineered to provide ETSI class 2/3 radiation pattern performance as well as excellent gain. RadioWaves field-proven pre-assembled antennas and robust pole-mounts ensure “set and forget” installation with minimal post-installation maintenance. The included radome ensures robust and reliable performance under the most challenging conditions. If it’s rugged, it must be RadioWaves!

FEATURES AND BENEFITS

- O High Performance ETSI Class 2/3* Parabolic Antennas – Excellent performance for a wide range of applications
- O Fully Preassembled at the Factory – Simplifies installation on site and guarantees “factory-tested” quality

*ETSI Class depends on frequency band

SPECIFICATIONS

General

Antenna Type	High Performance Parabolic Reflector Antenna
Size, nominal	1 ft 0.3 m
Polarization	Dual

Standard RF Connector Type	WR42
Standard RF Connector Suffix	RS (append suffix to model number)

Electrical

Operating Frequency Band	17.7 - 19.7 GHz
Half Power Beamwidth, Horizontal	3 degrees
Half Power Beamwidth, Vertical	3 degrees
Cross-Polarization Discrimination	30 dB
Front to Back Ratio (F/B)	61 dB

Gain, Low Frequency	33.3 dBi
Gain, Mid Frequency	33.8 dBi
Gain, High Frequency	34.2 dBi
VSWR	1.37:1
Return Loss	-16.1 dB

Mechanical

Fine Azimuth Adjustment	+/- 10 degrees
Fine Elevation Adjustment	+/- 30 degrees
Mounting Pipe Diameter, Min	2 inch 5.08 cm
Mounting Pipe Diameter, Max	4.5 inch 11.4 cm
Net Weight	17 lbs 7.7 kg
Wind Velocity Operational	90 mph 145 km/h
Wind Velocity Survival Rating	125 mph 201 km/h

Mechanical Configuration	HPLP1
Axial Force (FA)	46 lbs 204 N
Side Force (FS)	13 lbs 28 N
Twisting Moment (MT)	27 ft-lbs 36 Nm
Operating Temperature Range	-40 to +60 C
Max Pressure, PSIG, (if waveguide interface)	5

Regulatory Compliance

FCC	undeclared
Industry Canada Compliance	SRSP317.8 B

ETSI	302217 R2 C3
RoHS-compliant	Yes

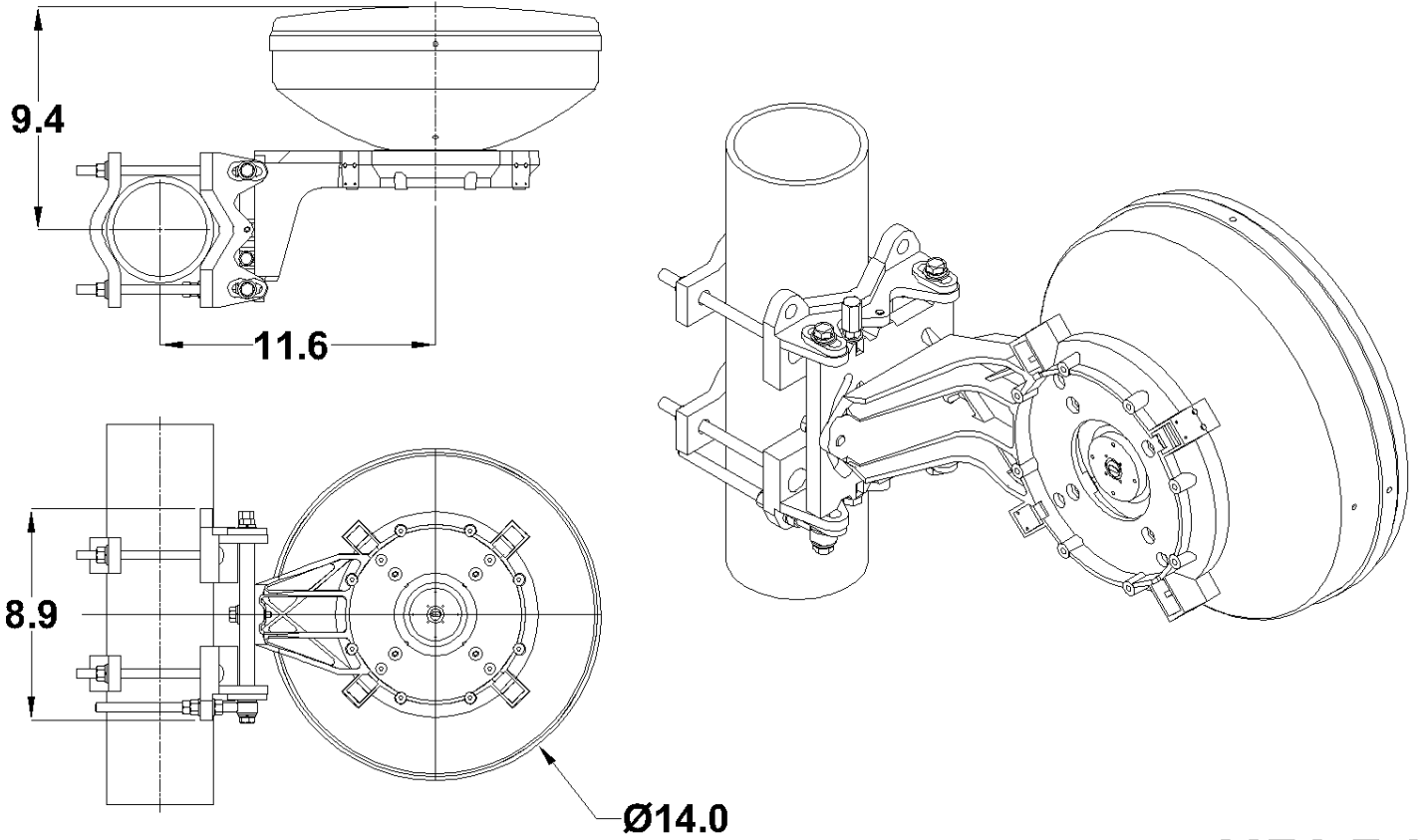
Shipping Information

Package Type	Cardboard
Gross Weight	24 lbs 10.8 kg

Dimensions, L x W x H	18 x 18 x 19in 46 x 46 x 48 cm
Shipping Volume	3.56 cu ft 0.1 cu m

*Additional OEM interfaces and adapters may be available. Contact RadioWaves for a complete and current list of available adapters.

TECHNICAL DRAWINGS



HPLP1