

1.8 m | 6 ft High Performance Parabolic Reflector Antenna, Dual-polarized, 5.925-6.425GHz



**HPD6-5.9**

The HP High Performance Series by RadioWaves offers a full line of high performance parabolic antennas engineered to provide ETSI class 2/3 radiation pattern performance as well as excellent gain. RadioWaves field-proven pre-assembled antennas and robust pole-mounts ensure “set and forget” installation with minimal post-installation maintenance. The included radome ensures robust and reliable performance under the most challenging conditions. If it’s rugged, it must be RadioWaves!

**FEATURES AND BENEFITS**

- High Performance ETSI Class 2/3\* Parabolic Antennas – Excellent performance for a wide range of applications
- Fully Preassembled at the Factory – Simplifies installation on site and guarantees “factory-tested” quality

\*ETSI Class depends on frequency band

**SPECIFICATIONS**

**General**

Antenna Type	High Performance Parabolic Reflector Antenna
Size, nominal	6 ft   1.8 m
Polarization	Dual

Standard RF Connector Type	CPR137G
Standard RF Connector Suffix	RS (append suffix to model number)

**Electrical**

Operating Frequency Band	5.925 - 6.425 GHz
Half Power Beamwidth, Horizontal	1.9 degrees
Half Power Beamwidth, Vertical	1.9 degrees
Cross-Polarization Discrimination	30 dB
Front to Back Ratio (F/B)	62 dB

Gain, Low Frequency	38.2 dBi
Gain, Mid Frequency	38.7 dBi
Gain, High Frequency	39 dBi
VSWR	1.37:1
Return Loss	-16.1 dB

### Mechanical

Fine Azimuth Adjustment	+/- 10 degrees
Fine Elevation Adjustment	+/- 10 degrees
Mounting Pipe Diameter, Min	4.5 inch   11.4 cm
Mounting Pipe Diameter, Max	4.5 inch   11.4 cm
Net Weight	251 lbs   113 kg
Wind Velocity Operational	90 mph   145 km/h
Wind Velocity Survival Rating	125 mph   201 km/h

Mechanical Configuration	HP6
Axial Force (FA)	1680 lbs   7473 N
Side Force (FS)	832 lbs   3700 N
Twisting Moment (MT)	2100 ft-lbs   2847 Nm
Operating Temperature Range	-40 to +60 C
Max Pressure, PSIG, (if waveguide interface)	5

### Regulatory Compliance

FCC	Part 101 Cat. A
Industry Canada Compliance	SRSP305.9 A

ETSI	302217 R1 C2
RoHS-compliant	Yes

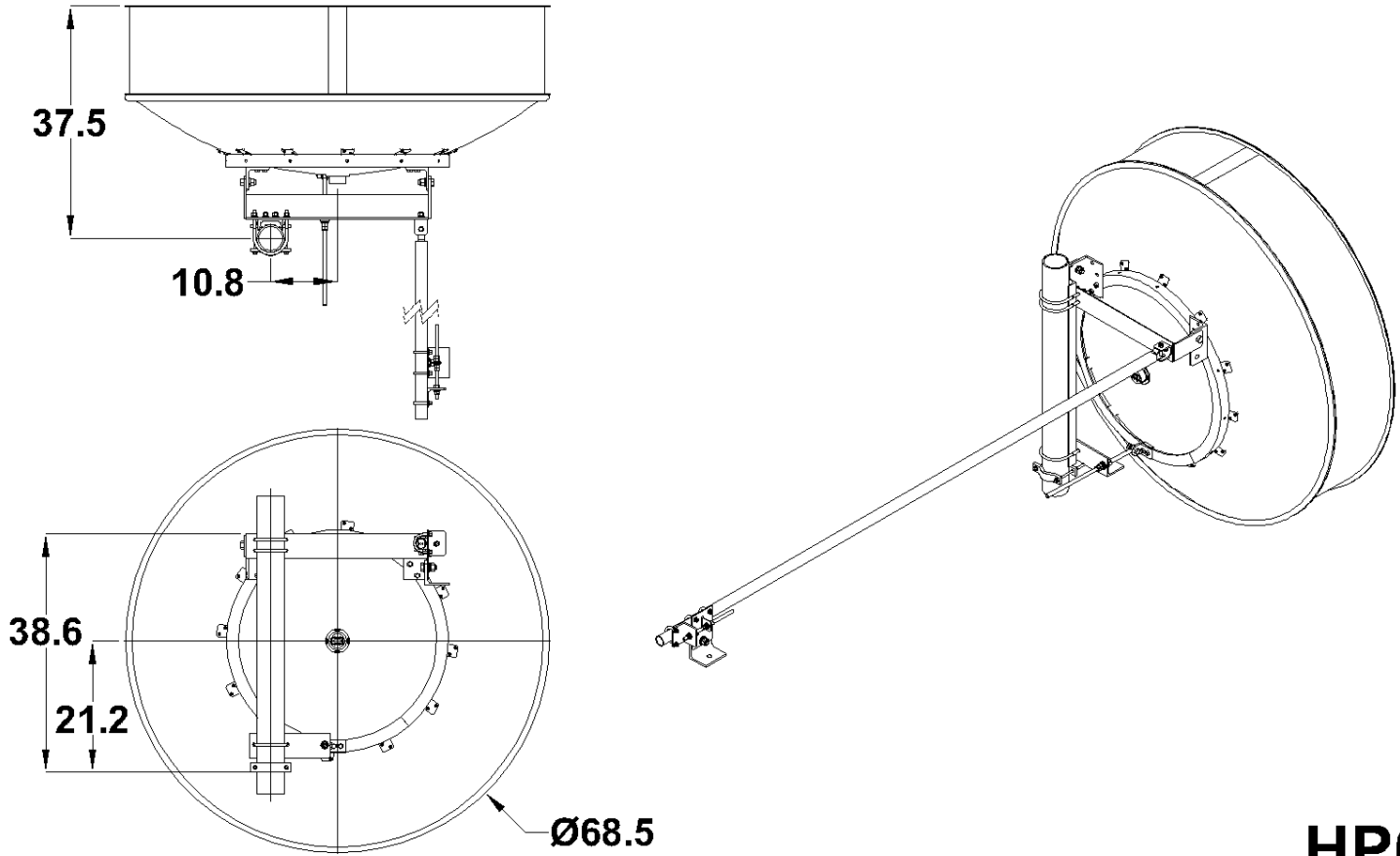
### Shipping Information

Package Type	Wood Crate
Gross Weight	401 lbs   181.8 kg

Dimensions, L x W x H	77 x 35 x 80in   195 x 89 x 203 cm
Shipping Volume	124.77 cu ft   3.53 cu m

\*Additional OEM interfaces and adapters may be available. Contact RadioWaves for a complete and current list of available adapters.

TECHNICAL DRAWINGS



**HP6**