

FPD.5-5-18

0.15 M | 0.5 FT FLAT PANEL ANTENNA, DUAL-POLARIZED, 5.15-5.85GHZ

The FP Flat Panel Series by RadioWaves offers a full line of high performance flat panel antennas engineered for superior performance within a low profile aesthetically pleasing form factor.

Ideal for Point to Point applications where form factor is a concern, RadioWaves field-proven pre-assembled antennas and robust easy to install mounting system ensure “set and forget” installation with minimal post-installation maintenance. If it’s rugged, it must be RadioWaves!



FEATURES AND BENEFITS

- High Performance Flat Panel Antennas – Excellent performance in an aesthetically pleasing form factor
- Fully Preassembled at the Factory – Simplifies installation on site and guarantees “factory-tested” quality
- Warranty – Industry leading 7-year warranty

SPECIFICATIONS

General

Antenna Type	Flat Panel Antenna
Size, nominal	0.5 ft 0.15 m
Polarization	Dual

Standard RF Connector Type	N-Female
Standard RF Connector Suffix	Not Applicable: No model number suffix required

Electrical

Operating Frequency Band	5.15 - 5.85 GHz
Half Power Beamwidth, Horizontal	20 degrees
Half Power Beamwidth, Vertical	20 degrees
Cross-Polarization Discrimination	20 dB
Front to Back Ratio (F/B)	35 dB

Gain, Low Frequency	17.4 dBi
Gain, Mid Frequency	18 dBi
Gain, High Frequency	18.5 dBi
VSWR	1.5:1
Return Loss	-14 dB

Mechanical

Fine Azimuth Adjustment	Supplied with coarse az adjust only
Fine Elevation Adjustment	+/- 10 degrees
Mounting Pipe Diameter, Min	2 inch 5.1 cm
Mounting Pipe Diameter, Max	2.5 inch 6.4 cm
Net Weight	3 lbs 1.4 kg
Wind Velocity Operational	90 mph 145 km/h
Wind Velocity Survival Rating	125 mph 201 km/h

Mechanical Configuration	FP.5
Axial Force (FA)	14 lbs 62 N
Side Force (FS)	0 lbs 0 N
Twisting Moment (MT)	0 ft-lbs 0 Nm
Operating Temperature Range	-40 to +60 C
Max Pressure, PSIG, (if waveguide interface)	na

Regulatory Compliance

FCC	undeclared
Industry Canada Compliance	undeclared

ETSI	undeclared
RoHS-compliant	Yes

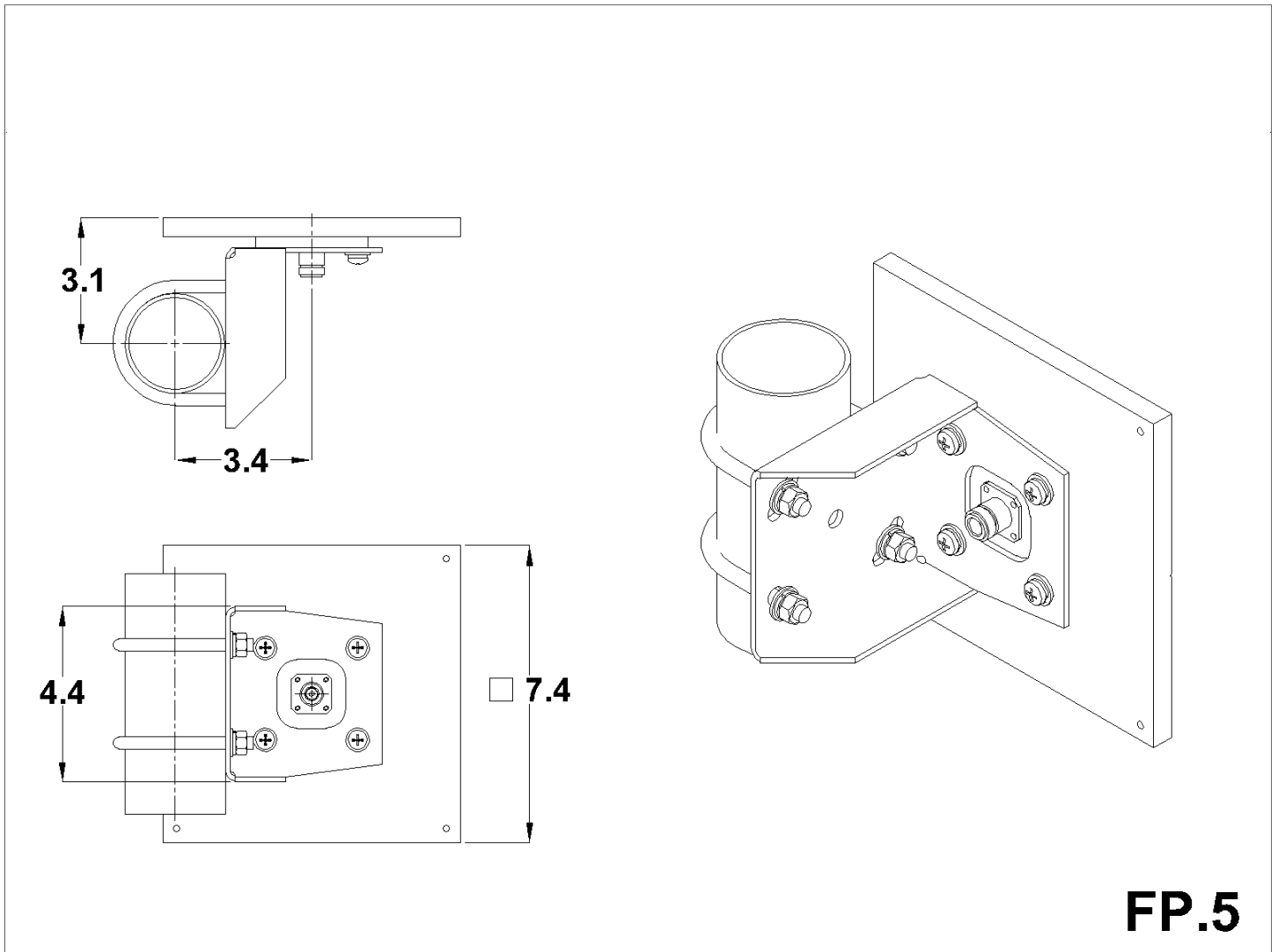
Shipping Information

Package Type	Cardboard
Gross Weight	4 lbs 1.8 kg

Dimensions, L x W x H	11 x 11 x 7in 27 x 27 x 17 cm
Shipping Volume	0.5 cu ft 0.01 cu m

*Additional OEM interfaces and adapters may be available. Contact RadioWaves for a complete and current list of available adapters.

TECHNICAL DRAWINGS



FP.5