

1.8 m | 6 ft Standard Performance Parabolic Reflector Antenna, Dual-polarized, 7.125-7.75GHz



## SPD6-7

The SP Standard Performance Series by RadioWaves offers a full line of cost effective standard performance parabolic antennas engineered to deliver reliable radio links. Designed for both unlicensed and licensed band applications, RadioWaves field-proven pre-assembled SP antennas and robust pole-mounts ensure “set and forget” installation with minimal post-installation maintenance. If it’s rugged, it must be RadioWaves!

### FEATURES AND BENEFITS

- Standard Performance Parabolic Antennas – Excellent performance for a wide range of licensed and unlicensed applications
- Fully Preassembled at the Factory – Simplifies installation on site and guarantees “factory-tested” quality

## SPECIFICATIONS

### General

Antenna Type	Standard Performance Parabolic Reflector Antenna
Size, nominal	6 ft   1.8 m
Polarization	Dual

Standard RF Connector Type	CPR112G
Standard RF Connector Suffix	RS (append suffix to model number)

### Electrical

Operating Frequency Band	7.125 - 7.75 GHz
Half Power Beamwidth, Horizontal	1.5 degrees
Half Power Beamwidth, Vertical	1.5 degrees
Cross-Polarization Discrimination	30 dB
Front to Back Ratio (F/B)	48 dB

Gain, Low Frequency	39.7 dBi
Gain, Mid Frequency	40.1 dBi
Gain, High Frequency	40.5 dBi
VSWR	1.37:1
Return Loss	-16.1 dB

## Mechanical

Fine Azimuth Adjustment	+/- 10 degrees	
Fine Elevation Adjustment	+/- 25 degrees	
Mounting Pipe Diameter, Min	4.5 inch   11.4 cm	
Mounting Pipe Diameter, Max	4.5 inch   11.4 cm	
Net Weight	95 lbs   42.8 kg	125 lbs   56.3 Kg with RD radome
Wind Velocity Operational	90 mph   145 km/h	
Wind Velocity Survival Rating	125 mph   201 km/h	

Mechanical Configuration	SP6	
Axial Force (FA)	1768 lbs   7865 N	973 lbs   4329 Nm with RD radome
Side Force (FS)	98 lbs   436 N	162 lbs   721 Nm with RD radome
Twisting Moment (MT)	2270 ft-lbs   3077 Nm	2100 lbs   2847 Nm with RD radome
Operating Temperature Range	-40 to +60 C	
Max Pressure, PSIG, (if waveguide interface)	5	

## Regulatory Compliance

FCC	undeclared
Industry Canada Compliance	undeclared

ETSI	302217 R1 C1
RoHS-compliant	Yes

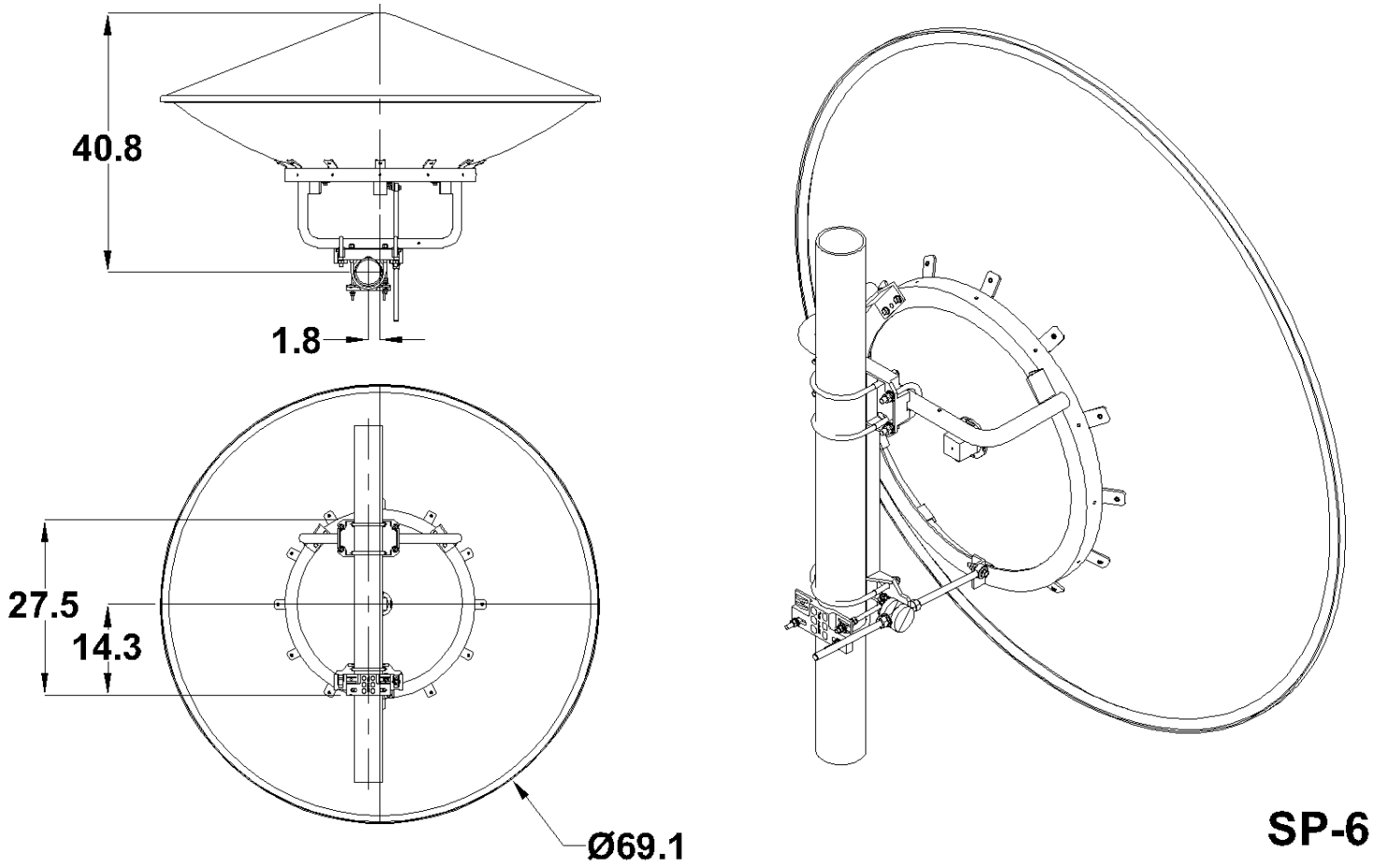
## Shipping Information

Package Type	Wood Crate
Gross Weight	222 lbs   100.7 kg

Dimensions, L x W x H	77 x 20 x 80in   195 x 501 x 203 cm
Shipping Volume	71.3 cu ft   2.02 cu m

\*Additional OEM interfaces and adapters may be available. Contact RadioWaves for a complete and current list of available adapters.

TECHNICAL DRAWINGS



**SP-6**