

0.6 m | 2 ft High Performance Parabolic Reflector Antenna, Dual-polarized, 14.25-15.35GHz



HPD2-15

SPECIFICATIONS

General

Antenna Type	High Performance Parabolic Reflector Antenna
Size, nominal	2 ft 0.6 m
Polarization	Dual

Standard RF Connector Type	WR62
Standard RF Connector Suffix	RS (append suffix to model number)

Electrical

Operating Frequency Band	14.25 - 15.35 GHz
Half Power Beamwidth, Horizontal	2.4 degrees
Half Power Beamwidth, Vertical	2.4 degrees
Cross-Polarization Discrimination	30 dB
Front to Back Ratio (F/B)	64 dB

Gain, Low Frequency	36 dBi
Gain, Mid Frequency	36.3 dBi
Gain, High Frequency	36.6 dBi
VSWR	1.37:1
Return Loss	-16.1 dB

Mechanical

Fine Azimuth Adjustment	+/- 10 degrees
Fine Elevation Adjustment	+/- 30 degrees
Mounting Pipe Diameter, Min	2 inch 5.08 cm
Mounting Pipe Diameter, Max	4.5 inch 11.4 cm
Net Weight	27 lbs 12.3 kg
Wind Velocity Operational	90 mph 145 km/h
Wind Velocity Survival Rating	125 mph 201 km/h

Mechanical Configuration	HP2
Axial Force (FA)	202 lbs 899 N
Side Force (FS)	100 lbs 445 N
Twisting Moment (MT)	194 ft-lbs 263 Nm
Operating Temperature Range	-40 to +60 C
Max Pressure, PSIG, (if waveguide interface)	5

Regulatory Compliance

FCC	undeclared
Industry Canada Compliance	SRSP314.5 C

ETSI	302217 R2 C2
RoHS-compliant	Yes

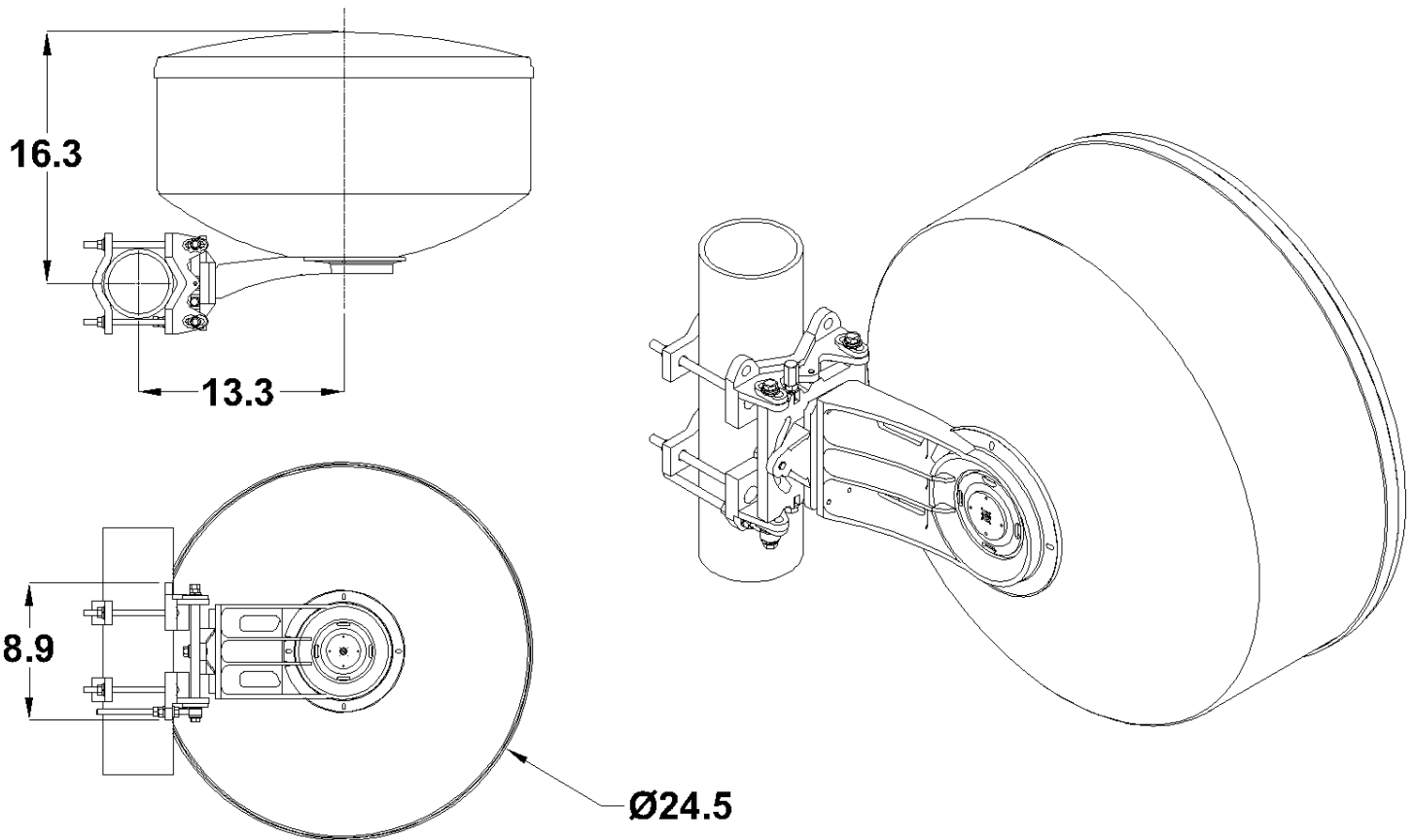
Shipping Information

Package Type	Cardboard
Gross Weight	48 lbs 28.7 kg

Dimensions, L x W x H	31 x 31 x 25in 79 x 79 x 64 cm
Shipping Volume	13.9 cu ft 0.39 cu m

*Additional OEM interfaces and adapters may be available. Contact RadioWaves for a complete and current list of available adapters.

TECHNICAL DRAWINGS



HP2

