

L1+L5 GPS/Timing Antenna, RHCP Polarized, 1.166 to 1.218 GHz | 1.559 to 1.606 GHz



GP-L1-L5-40-N

The GP-L1L5-40-N GPS Dual Band antenna recovers timing and positioning data for timing reference and phase synchronization. It filters and amplifies global positioning system signals received from GNSS, Galileo, GLONASS, BeiDou, QZSS, and IRNSS satellite constellations.

The GP-L1L5-40-N antenna is designed with an integrated 40 dB LNA and operates within the L5 1.166 to 1.216 GHz and L1 1.559 to 1.606 GHz bands. Increased position accuracy in densely populated urban canyons, flexible installation, and improved system security, are all advantages of this design.

The GP-L1L5-40-N GPS is compatible with several existing mounting brackets. It is fully ruggedized unit and IP67 Rated. The LNA is DC fed through the Type N Female connector and is externally grounded.

SPECIFICATIONS

General

| | |
|---------------|-----------------|
| Antenna Type | GPS Antennas |
| Size, nominal | 0.5 ft 0.15 m |

| | | |
|----------------------------|----------|--|
| Polarization | RHCP | |
| Standard RF Connector Type | N-Female | |

Electrical

| | | |
|----------------------------------|-------------------|-------------------|
| Operating Frequency Band | 1.166 - 1.218 GHz | 1.559 - 1.606 GHz |
| Half Power Beamwidth, Horizontal | 360 degrees | 360 degrees |

| | | |
|---------------------|--------|--------|
| Gain, Mid Frequency | 40 dBi | 40 dBi |
| VSWR | 1.8:1 | 1.8:1 |

Mechanical

| | |
|-----------------------------|-------------------|
| Mounting Pipe Diameter, Min | 1 inch 2.5 cm |
| Mounting Pipe Diameter, Max | 2 inch 5.1 cm |
| Net Weight | 0.9 lbs 0.4 kg |
| Wind Velocity Operational | 90 mph 145 km/h |

| | |
|-------------------------------|--------------------|
| Wind Velocity Survival Rating | 125 mph 201 km/h |
| Mechanical Configuration | GP-L1L5-40-N |
| Operating Temperature Range | -40 to +60 C |
| Ingress Protection | IP67 |

Regulatory Compliance

| | |
|----------------------------|------------|
| Industry Canada Compliance | undeclared |
| RoHS-compliant | Yes |

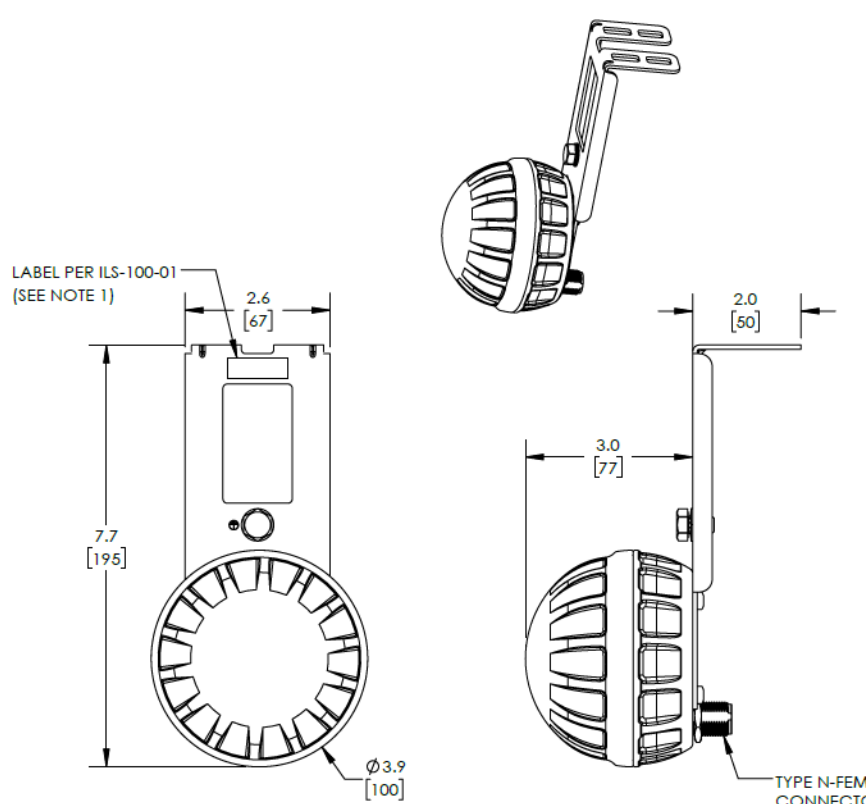
Shipping Information

| | |
|--------------|----------------|
| Package Type | Cardboard |
| Gross Weight | 2.2 lbs 0 kg |

| | |
|-----------------------|----------------------------|
| Dimensions, L x W x H | 0 x 0 x 0in 0 x 0 x 0 cm |
| Shipping Volume | 0 cu ft 0 cu m |

Dual Band L1 and L5 GPS Timing Antenna

TECHNICAL DRAWINGS



LABEL PER ILS-100-01
(SEE NOTE 1)

7.7 [195]

2.6 [67]

3.0 [77]

Ø3.9 [100]

TYPE N-FEMALE CONNECTOR

| REVISIONS | | | |
|-----------|-----------------|------------|----------|
| REV. | DESCRIPTION | DATE | APPROVED |
| A | INITIAL RELEASE | 04/22/2021 | KHIETPAS |

NOTES:


1. LABEL PER ILS-100-01 (FOR INTERNAL REFERENCE ONLY)
LABEL LOCATION FOR REFERENCE ONLY

UNLESS OTHERWISE SPECIFIED
LEADING DIMENSIONS ARE INCHES
DIMENSIONS IN [] ARE MILLIMETERS

TOLERANCES:
 .X ± .2 [5.08] FRACTIONS ± 1/32
 .XX ± .02 [.51] ± 1/32
 .XXX ± .005 [.13] ANGLES ± 1°

CABLE LENGTH (L) TOLERANCES:
 L ≤ 12 [305] → ± .25 [-0
 12 [305] < L ≤ 60 [1524] → ± .5 [-0
 60 [1524] < L ≤ 120 [3048] → ± 1 [-0
 120 [3048] < L ≤ 300 [7620] → ± 6 [-0
 300 [7620] < L → ± 5% [-0

ALL DIMENSIONS SHOWN
ARE FOR REFERENCE ONLY.



an INFINIT® brand
 40 High Street, North Andover, MA 01862, USA.
 Phone: 1.978.459.8800 | 1.978.495.3310
 Tech. Support: 1.817.800.9448
 Website: www.radiowaves.com
 E-mail: info@radiowaves.com

THIRD-ANGLE PROJECTION

THE INFORMATION AND DESIGN IN THIS DOCUMENT IS THE PROPERTY OF RADIO WAVES, INC. ALL RIGHTS RESERVED.

SHEET 1 OF 1

SCALE N/A

| | | | |
|------|-----------|-----------|--------------|
| SIZE | CAGE CODE | DRAWN BY | ITEM NO. |
| A | 1XCE7 | BPUCHASKI | GP-L1L5-40-N |
| | | | REV A |

T-Rev.D

