

L1+L5 GPS/Timing Antenna, RHCP Polarized, 1.166 to 1.218 GHz | 1.559 to 1.606 GHz



GP-L1-L5-40-N

The GP-L1L5-40-N GPS Dual Band antenna recovers timing and positioning data for timing reference and phase synchronization. It filters and amplifies global positioning system signals received from GNSS, Galileo, GLONASS, BeiDou, QZSS, and IRNSS satellite constellations.

The GP-L1L5-40-N antenna is designed with an integrated 40 dB LNA and operates within the L5 1.166 to 1.216 GHz and L1 1.559 to 1.606 GHz bands. Increased position accuracy in densely populated urban canyons, flexible installation, and improved system security, are all advantages of this design.

The GP-L1L5-40-N GPS is compatible with several existing mounting brackets. It is fully ruggedized unit and IP67 Rated. The LNA is DC fed through the Type N Female connector and is externally grounded.

SPECIFICATIONS

General

Antenna Type	GPS Antennas
Size, nominal	0.5 ft 0.15 m

Polarization	RHCP	
Standard RF Connector Type	N-Female	

Electrical

Operating Frequency Band	1.166 - 1.218 GHz	1.559 - 1.606 GHz
Half Power Beamwidth, Horizontal	360 degrees	360 degrees

Gain, Mid Frequency	40 dBi	40 dBi
VSWR	1.8:1	1.8:1

Mechanical

Mounting Pipe Diameter, Min	1 inch 2.5 cm
Mounting Pipe Diameter, Max	2 inch 5.1 cm
Net Weight	0.9 lbs 0.4 kg
Wind Velocity Operational	90 mph 145 km/h

Wind Velocity Survival Rating	125 mph 201 km/h
Mechanical Configuration	GP-L1L5-40-N
Operating Temperature Range	-40 to +60 C
Ingress Protection	IP67

Regulatory Compliance

Industry Canada Compliance	undeclared
RoHS-compliant	Yes

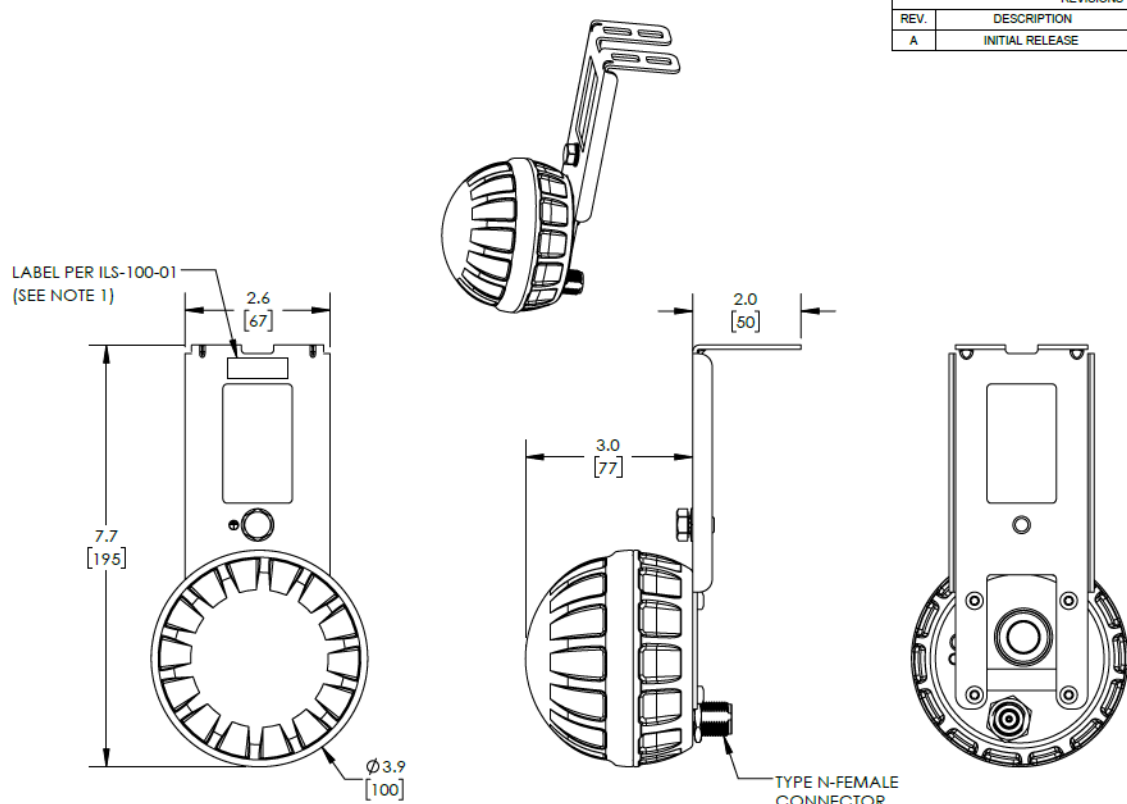
Shipping Information

Package Type	Cardboard
Gross Weight	2.2 lbs 0 kg

Dimensions, L x W x H	0 x 0 x 0in 0 x 0 x 0 cm
Shipping Volume	0 cu ft 0 cu m

Dual Band L1 and L5 GPS Timing Antenna

TECHNICAL DRAWINGS



REVISIONS			
REV.	DESCRIPTION	DATE	APPROVED
A	INITIAL RELEASE	04/22/2021	KHIETPAS

LABEL PER ILS-100-01
(SEE NOTE 1)

2.6
[67]

7.7
[195]

Ø3.9
[100]

2.0
[50]

3.0
[77]

TYPE N-FEMALE
CONNECTOR

NOTES:
1. LABEL PER ILS-100-01 (FOR INTERNAL REFERENCE ONLY)
LABEL LOCATION FOR REFERENCE ONLY


THESE COMMODITIES, TECHNOLOGY OR SOFTWARE WERE EXPORTED FROM THE UNITED STATES IN ACCORDANCE WITH THE EXPORT ADMINISTRATION REGULATIONS. DIVERSION CONTRARY TO U.S. LAW PROHIBITED.

UNLESS OTHERWISE SPECIFIED
LEADING DIMENSIONS ARE INCHES
DIMENSIONS IN [] ARE MILLIMETERS

TOLERANCES:
.X = ±.2 [5.08] FRACTIONS
.XX = ±.02 [.51] ± 1/32
.XXX = ±.005 [.13] ANGLES ± 1°

CABLE LENGTH (L) TOLERANCES:
L ≤ 12 [305] = ±.1 [2.5] / -0
12 [305] < L ≤ 50 [1270] = ±.2 [5.1] / -0
50 [1270] < L ≤ 120 [3048] = ±.4 [10.2] / -0
120 [3048] < L ≤ 300 [7620] = ±.6 [15.2] / -0
300 [7620] < L = +5%L / -0

ALL DIMENSIONS SHOWN
ARE FOR REFERENCE ONLY.



an INFINIT® brand
40 High Street, North Andover, MA 01862, USA.
Phone: 1.978.459.8800 | 1.978.495.3310
Tech. Support: 1.817.800.9448
Website: www.radiowaves.com
E-mail: info@radiowaves.com

THIRD-ANGLE PROJECTION

THE INFORMATION AND
DESIGN IN THIS DOCUMENT
IS THE PROPERTY OF
RADIO WAVES, INC.
ALL RIGHTS RESERVED.

SHEET 1 OF 1

SCALE N/A

SIZE	CAGE CODE	DRAWN BY	ITEM NO.	REV
A	1XCE7	BPUCHASKI	GP-L1L5-40-N	A

