

0.3 m | 1 ft Standard Performance Parabolic Reflector Antenna, Single-polarized, 5.25-5.85GHz

SP1-5.2



The SP Standard Performance Series by RadioWaves offers a full line of cost effective standard performance parabolic antennas engineered to deliver reliable radio links. Designed for both unlicensed and licensed band applications, RadioWaves field-proven pre-assembled SP antennas and robust pole-mounts ensure “set and forget” installation with minimal post-installation maintenance. If it’s rugged, it must be RadioWaves!

FEATURES AND BENEFITS

- Standard Performance Parabolic Antennas – Excellent performance for a wide range of licensed and unlicensed applications
- Fully Preassembled at the Factory – Simplifies installation on site and guarantees “factory-tested” quality

SPECIFICATIONS

General

Antenna Type	Standard Performance Parabolic Reflector Antenna
Size, nominal	1 ft 0.3 m
Polarization	Single

Standard RF Connector Type	N-Female
Standard RF Connector Suffix	NS (append suffix to model number)

Electrical

Operating Frequency Band	5.25 - 5.85 GHz
Half Power Beamwidth, Horizontal	11.1 degrees
Half Power Beamwidth, Vertical	11.1 degrees
Cross-Polarization Discrimination	17 dB
Front to Back Ratio (F/B)	30 dB

Gain, Low Frequency	22 dBi
Gain, Mid Frequency	22.5 dBi
Gain, High Frequency	23 dBi
VSWR	1.5:1
Return Loss	-14 dB

Mechanical

Fine Azimuth Adjustment	+/- 10 degrees	
Fine Elevation Adjustment	+/- 30 degrees	
Mounting Pipe Diameter, Min	2 inch 5.08 cm	
Mounting Pipe Diameter, Max	4.5 inch 11.4 cm	
Net Weight	15 lbs 6.8 kg	na lbs 0 Kg with RD radome
Wind Velocity Operational	90 mph 145 km/h	
Wind Velocity Survival Rating	125 mph 201 km/h	

Mechanical Configuration	SP1	
Axial Force (FA)	46 lbs 204 N	na lbs na Nm with RD radome
Side Force (FS)	13 lbs 58 N	na lbs na Nm with RD radome
Twisting Moment (MT)	27 ft-lbs 36 Nm	na lbs na Nm with RD radome
Operating Temperature Range	-40 to +60 C	
Max Pressure, PSIG, (if waveguide interface)	5	

Regulatory Compliance

FCC	undeclared
Industry Canada Compliance	undeclared

ETSI	undeclared
RoHS-compliant	Yes

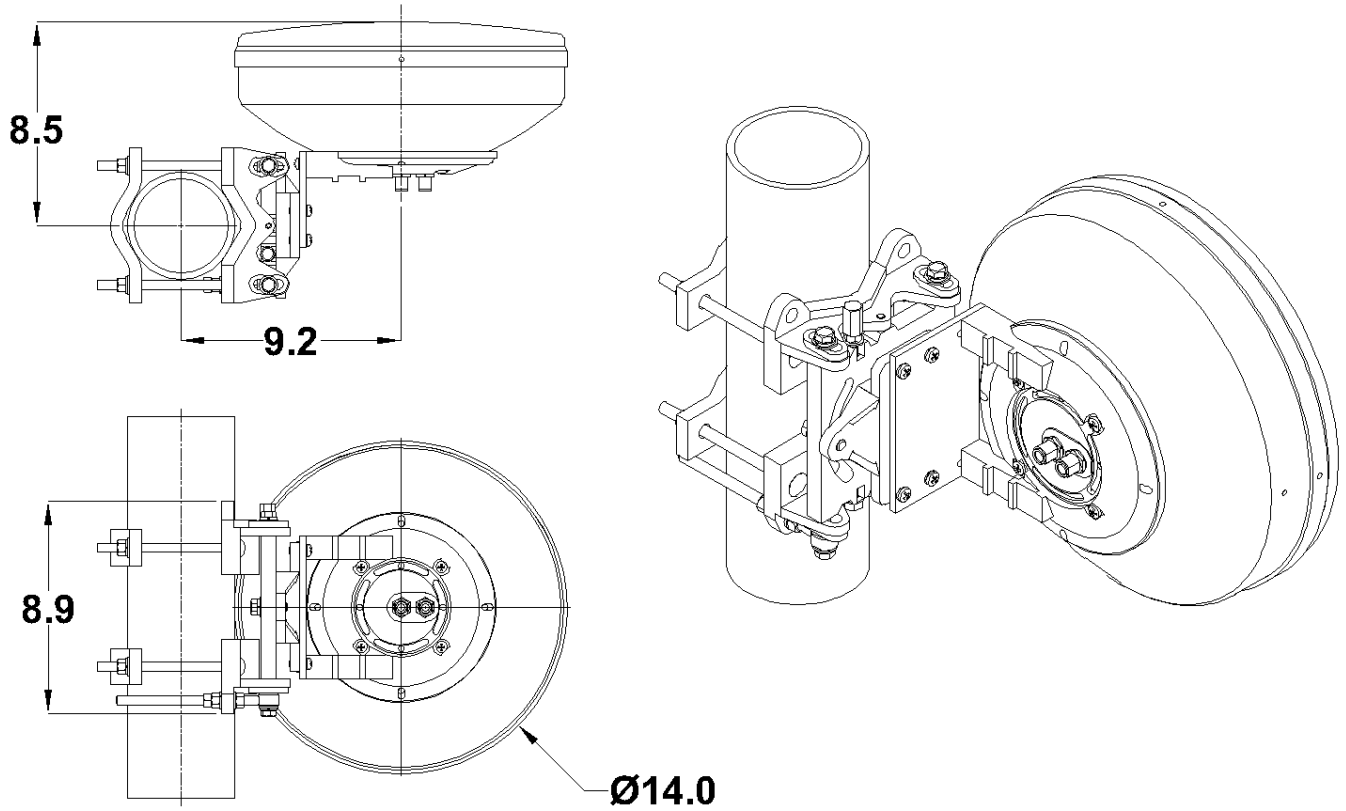
Shipping Information

Package Type	Cardboard
Gross Weight	18 lbs 8.1 kg

Dimensions, L x W x H	16 x 16 x 10in 40 x 40 x 13 cm
Shipping Volume	1.48 cu ft 0.04 cu m

*Additional OEM interfaces and adapters may be available. Contact RadioWaves for a complete and current list of available adapters.

TECHNICAL DRAWINGS



SP1