

1.2 m | 4 ft High Performance Parabolic Reflector Antenna, Dual-polarized, 5.725-7.125GHz

**HPD4-6**



**SPECIFICATIONS**

**General**

Antenna Type	High Performance Parabolic Reflector Antenna
Size, nominal	4 ft   1.2 m
Polarization	Dual

Standard RF Connector Type	CPR137G
Standard RF Connector Suffix	RS (append suffix to model number)

**Electrical**

Operating Frequency Band	5.725 - 7.125 GHz
Half Power Beamwidth, Horizontal	2.7 degrees
Half Power Beamwidth, Vertical	2.7 degrees
Cross-Polarization Discrimination	28 dB
Front to Back Ratio (F/B)	60 dB

Gain, Low Frequency	35 dBi
Gain, Mid Frequency	36.3 dBi
Gain, High Frequency	37 dBi
VSWR	1.37:1
Return Loss	-16.1 dB

**Mechanical**

Fine Azimuth Adjustment	+/- 10 degrees
Fine Elevation Adjustment	+/- 10 degrees
Mounting Pipe Diameter, Min	4.5 inch   11.4 cm
Mounting Pipe Diameter, Max	4.5 inch   11.4 cm
Net Weight	85 lbs   38.3 kg
Wind Velocity Operational	90 mph   145 km/h
Wind Velocity Survival Rating	125 mph   201 km/h

Mechanical Configuration	HP4
Axial Force (FA)	737 lbs   3278 N
Side Force (FS)	365 lbs   1623 N
Twisting Moment (MT)	784 ft-lbs   1063 Nm
Operating Temperature Range	-40 to +60 C
Max Pressure, PSIG, (if waveguide interface)	5

### Regulatory Compliance

FCC	Part 101 Cat. B2
Industry Canada Compliance	undeclared

ETSI	undeclared
RoHS-compliant	Yes

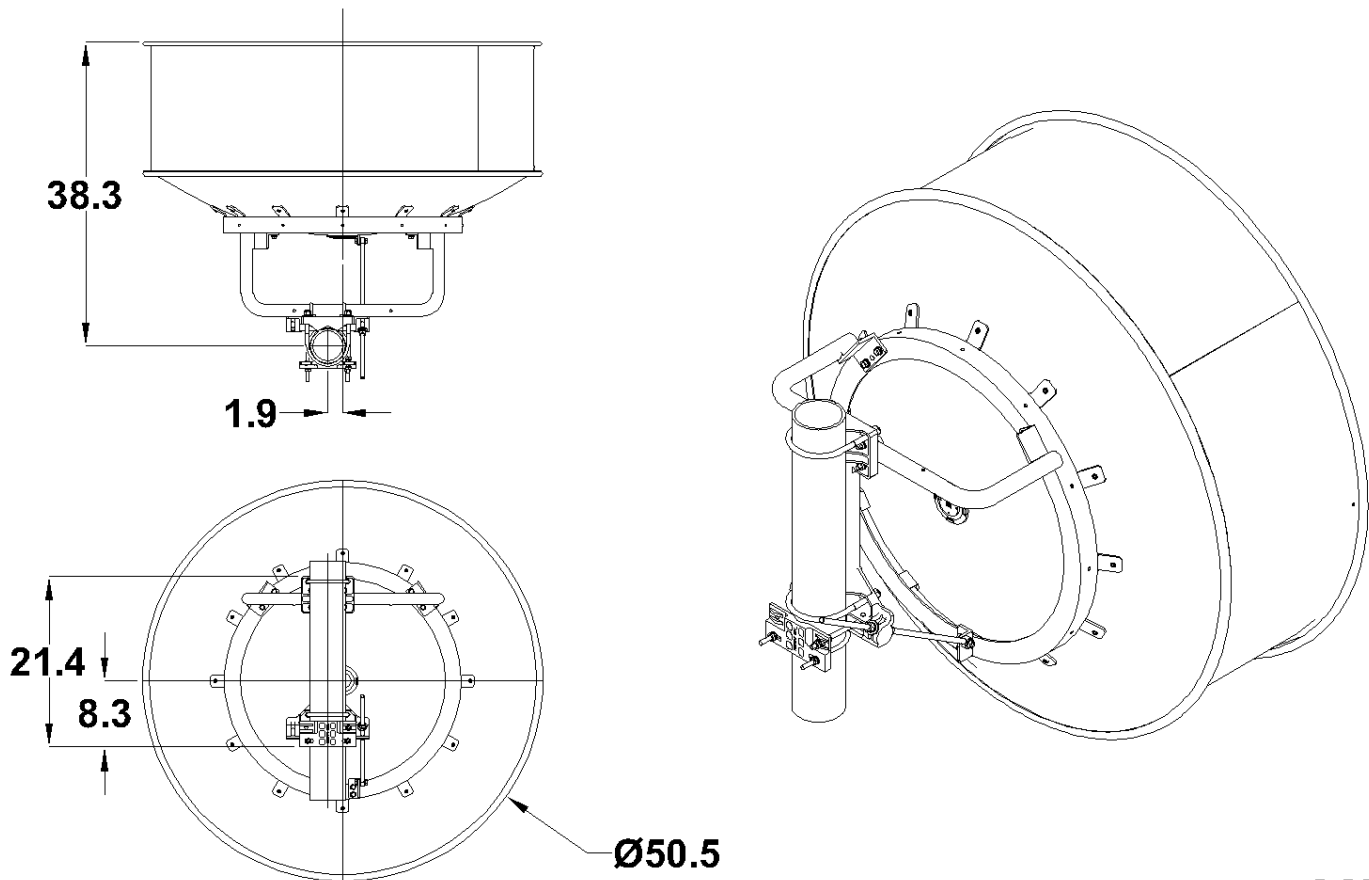
### Shipping Information

Package Type	Wood Crate
Gross Weight	196 lbs   88.9 kg

Dimensions, L x W x H	59 x 35 x 60in   150 x 89 x 152 cm
Shipping Volume	71.7 cu ft   2.03 cu m

\*Additional OEM interfaces and adapters may be available. Contact RadioWaves for a complete and current list of available adapters.

### TECHNICAL DRAWINGS



**HP4**

