

0.6 m | 2 ft Flat Panel Antenna, Single-polarized, 4.4-5GHz

FP2-4.7-27



The FP Flat Panel Series by RadioWaves offers a full line of high performance flat panel antennas engineered for superior performance within a low profile aesthetically pleasing form factor. Ideal for Point to Point applications where form factor is a concern, RadioWaves field-proven pre-assembled antennas and robust easy to install mounting system ensure “set and forget” installation with minimal post-installation maintenance. If it’s rugged, it must be RadioWaves!

FEATURES AND BENEFITS

- High Performance Flat Panel Antennas – Excellent performance in an aesthetically pleasing form factor
- Fully Preassembled at the Factory – Simplifies installation on site and guarantees “factory-tested” quality

SPECIFICATIONS

General

| | |
|---------------|--------------------|
| Antenna Type | Flat Panel Antenna |
| Size, nominal | 2 ft 0.6 m |
| Polarization | Single |

| | |
|------------------------------|---|
| Standard RF Connector Type | N-Female |
| Standard RF Connector Suffix | Not Applicable: No model number suffix required |

Electrical

| | |
|-----------------------------------|-------------|
| Operating Frequency Band | 4.4 - 5 GHz |
| Half Power Beamwidth, Horizontal | 6 degrees |
| Half Power Beamwidth, Vertical | 6 degrees |
| Cross-Polarization Discrimination | 30 dB |
| Front to Back Ratio (F/B) | 35 dB |

| | |
|----------------------|----------|
| Gain, Low Frequency | 25.9 dBi |
| Gain, Mid Frequency | 26.5 dBi |
| Gain, High Frequency | 27 dBi |
| VSWR | 1.5:1 |
| Return Loss | -14 dB |

Mechanical

| | |
|-------------------------------|-------------------------------------|
| Fine Azimuth Adjustment | Supplied with coarse az adjust only |
| Fine Elevation Adjustment | +/- 10 degrees |
| Mounting Pipe Diameter, Min | 2 inch 5.1 cm |
| Mounting Pipe Diameter, Max | 2.5 inch 6.4 cm |
| Net Weight | 10 lbs 4.5 kg |
| Wind Velocity Operational | 90 mph 145 km/h |
| Wind Velocity Survival Rating | 125 mph 201 km/h |

| | |
|--|-----------------|
| Mechanical Configuration | FP2 |
| Axial Force (FA) | 202 lbs 905 N |
| Side Force (FS) | 0 lbs 0 N |
| Twisting Moment (MT) | 0 ft-lbs 0 Nm |
| Operating Temperature Range | -40 to +60 C |
| Max Pressure, PSIG, (if waveguide interface) | na |

Regulatory Compliance

| | |
|----------------------------|------------|
| FCC | undeclared |
| Industry Canada Compliance | undeclared |

| | |
|----------------|------------|
| ETSI | undeclared |
| RoHS-compliant | Yes |

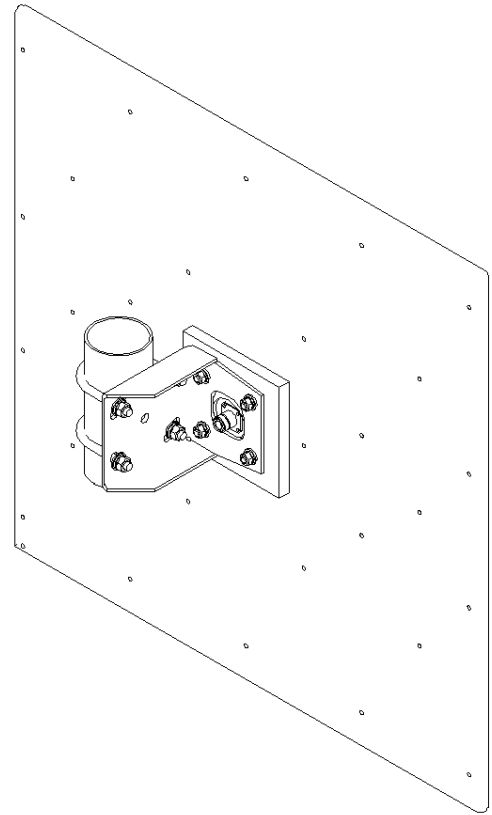
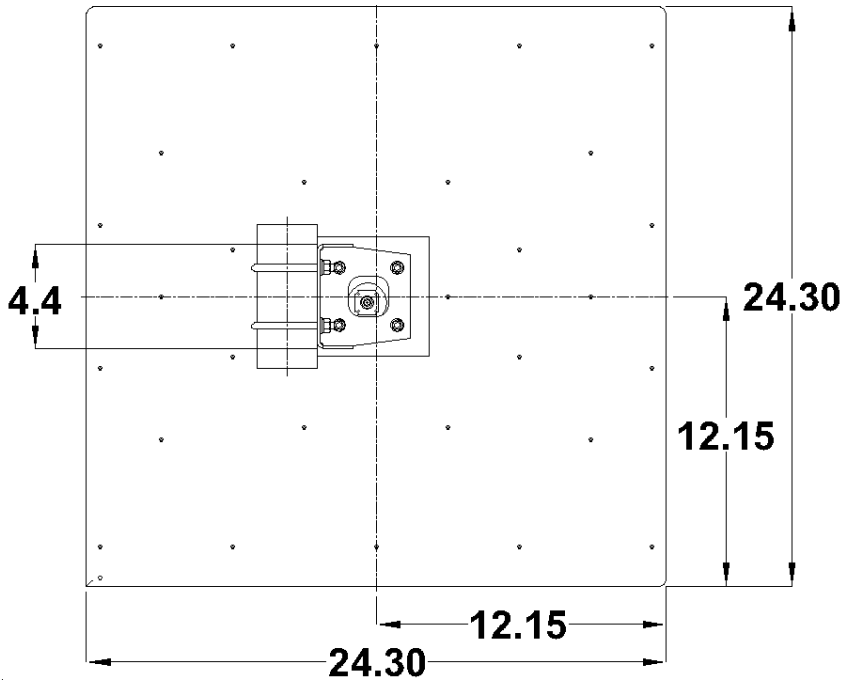
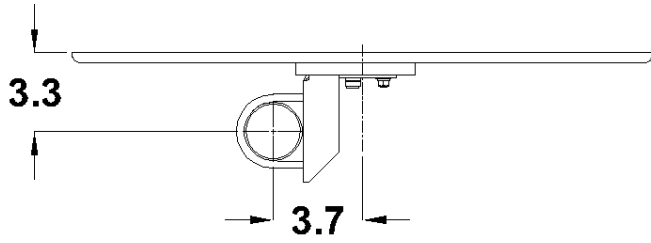
Shipping Information

| | |
|--------------|-----------------|
| Package Type | Cardboard |
| Gross Weight | 19 lbs 8.6 kg |

| | |
|-----------------------|---------------------------------|
| Dimensions, L x W x H | 28 x 28 x 6in 71 x 71 x 15 cm |
| Shipping Volume | 2.7 cu ft 0.08 cu m |

*Additional OEM interfaces and adapters may be available. Contact RadioWaves for a complete and current list of available adapters.

TECHNICAL DRAWINGS



FP2