

## FPD.5-4.7-17

### 0.15 M | 0.5 FT FLAT PANEL ANTENNA, DUAL-POLARIZED, 4.4-5GHZ

The FP Flat Panel Series by RadioWaves offers a full line of high performance flat panel antennas engineered for superior performance within a low profile aesthetically pleasing form factor.

Ideal for Point to Point applications where form factor is a concern, RadioWaves field-proven pre-assembled antennas and robust easy to install mounting system ensure “set and forget” installation with minimal post-installation maintenance. If it’s rugged, it must be RadioWaves!



### FEATURES AND BENEFITS

- High Performance Flat Panel Antennas – Excellent performance in an aesthetically pleasing form factor
- Fully Preassembled at the Factory – Simplifies installation on site and guarantees “factory-tested” quality
- Warranty – Industry leading 7-year warranty

### SPECIFICATIONS

#### General

Antenna Type	Flat Panel Antenna
Size, nominal	0.5 ft   0.15 m
Polarization	Dual

Standard RF Connector Type	N-Female
Standard RF Connector Suffix	Not Applicable: No model number suffix required

#### Electrical

Operating Frequency Band	4.4 - 5 GHz
Half Power Beamwidth, Horizontal	20 degrees
Half Power Beamwidth, Vertical	20 degrees
Cross-Polarization Discrimination	20 dB
Front to Back Ratio (F/B)	30 dB

Gain, Low Frequency	16.4 dBi
Gain, Mid Frequency	17 dBi
Gain, High Frequency	17.5 dBi
VSWR	1.5:1
Return Loss	-14 dB

## Mechanical

Fine Azimuth Adjustment	Supplied with coarse az adjust only
Fine Elevation Adjustment	+/- 10 degrees
Mounting Pipe Diameter, Min	2 inch   5.1 cm
Mounting Pipe Diameter, Max	2.5 inch   6.4 cm
Net Weight	3 lbs   1.4 kg
Wind Velocity Operational	90 mph   145 km/h
Wind Velocity Survival Rating	125 mph   201 km/h

Mechanical Configuration	FP.5
Axial Force (FA)	14 lbs   62 N
Side Force (FS)	0 lbs   0 N
Twisting Moment (MT)	0 ft-lbs   0 Nm
Operating Temperature Range	-40 to +60 C
Max Pressure, PSIG, (if waveguide interface)	na

## Regulatory Compliance

FCC	undeclared
Industry Canada Compliance	undeclared

ETSI	undeclared
RoHS-compliant	Yes

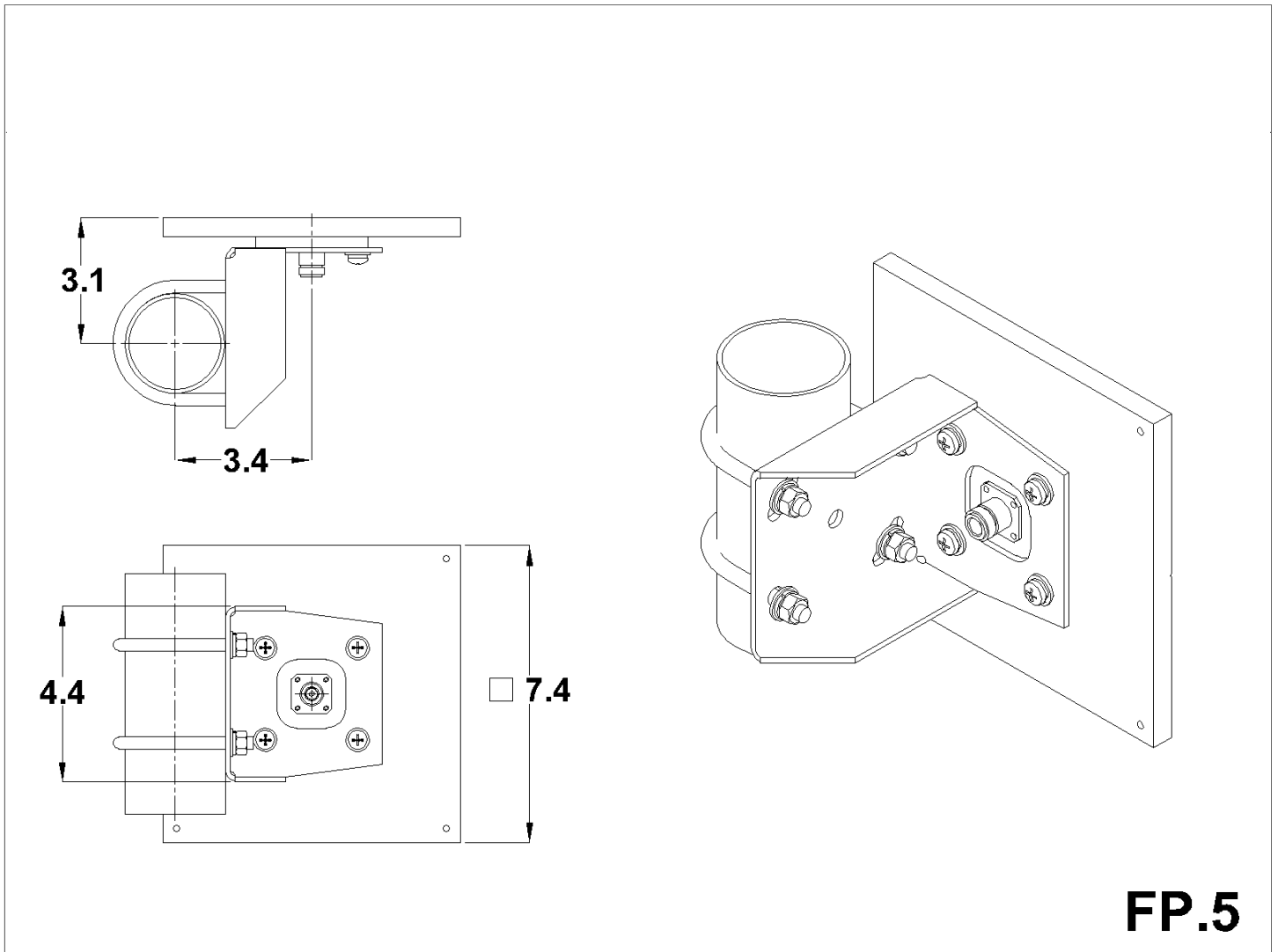
## Shipping Information

Package Type	Cardboard
Gross Weight	4 lbs   1.8 kg

Dimensions, L x W x H	11 x 11 x 7in   27 x 27 x 17 cm
Shipping Volume	0.5 cu ft   0.01 cu m

\*Additional OEM interfaces and adapters may be available. Contact RadioWaves for a complete and current list of available adapters.

TECHNICAL DRAWINGS



**FP.5**