

0.9 m | 3 ft Standard Performance Parabolic Reflector Antenna, Single-polarized, 10.7-11.7GHz

SP3-11



## SPECIFICATIONS

### General

Antenna Type	Standard Performance Parabolic Reflector Antenna
Size, nominal	3 ft   0.9 m
Polarization	Single

Standard RF Connector Type	CPR90G
Standard RF Connector Suffix	RS (append suffix to model number)

### Electrical

Operating Frequency Band	10.7 - 11.7 GHz
Half Power Beamwidth, Horizontal	2.2 degrees
Half Power Beamwidth, Vertical	2.2 degrees
Cross-Polarization Discrimination	30 dB
Front to Back Ratio (F/B)	45 dB

Gain, Low Frequency	37.5 dBi
Gain, Mid Frequency	37.7 dBi
Gain, High Frequency	37.9 dBi
VSWR	1.37:1
Return Loss	-16.1 dB

## Mechanical

Fine Azimuth Adjustment	+/- 10 degrees	
Fine Elevation Adjustment	+/- 25 degrees	
Mounting Pipe Diameter, Min	4.5 inch   11.4 cm	
Mounting Pipe Diameter, Max	4.5 inch   11.4 cm	
Net Weight	35 lbs   15.8 kg	43 lbs   19.4 Kg with RD radome
Wind Velocity Operational	90 mph   145 km/h	
Wind Velocity Survival Rating	125 mph   201 km/h	

Mechanical Configuration	SP3	
Axial Force (FA)	492 lbs   2189 N	271 lbs   1206 Nm with RD radome
Side Force (FS)	40 lbs   178 N	64 lbs   285 Nm with RD radome
Twisting Moment (MT)	545 ft-lbs   739 Nm	394 lbs   534 Nm with RD radome
Operating Temperature Range	-40 to +60 C	
Max Pressure, PSIG, (if waveguide interface)	5	

## Regulatory Compliance

FCC	undeclared
Industry Canada Compliance	undeclared

ETSI	302217 R1 C1
RoHS-compliant	Yes

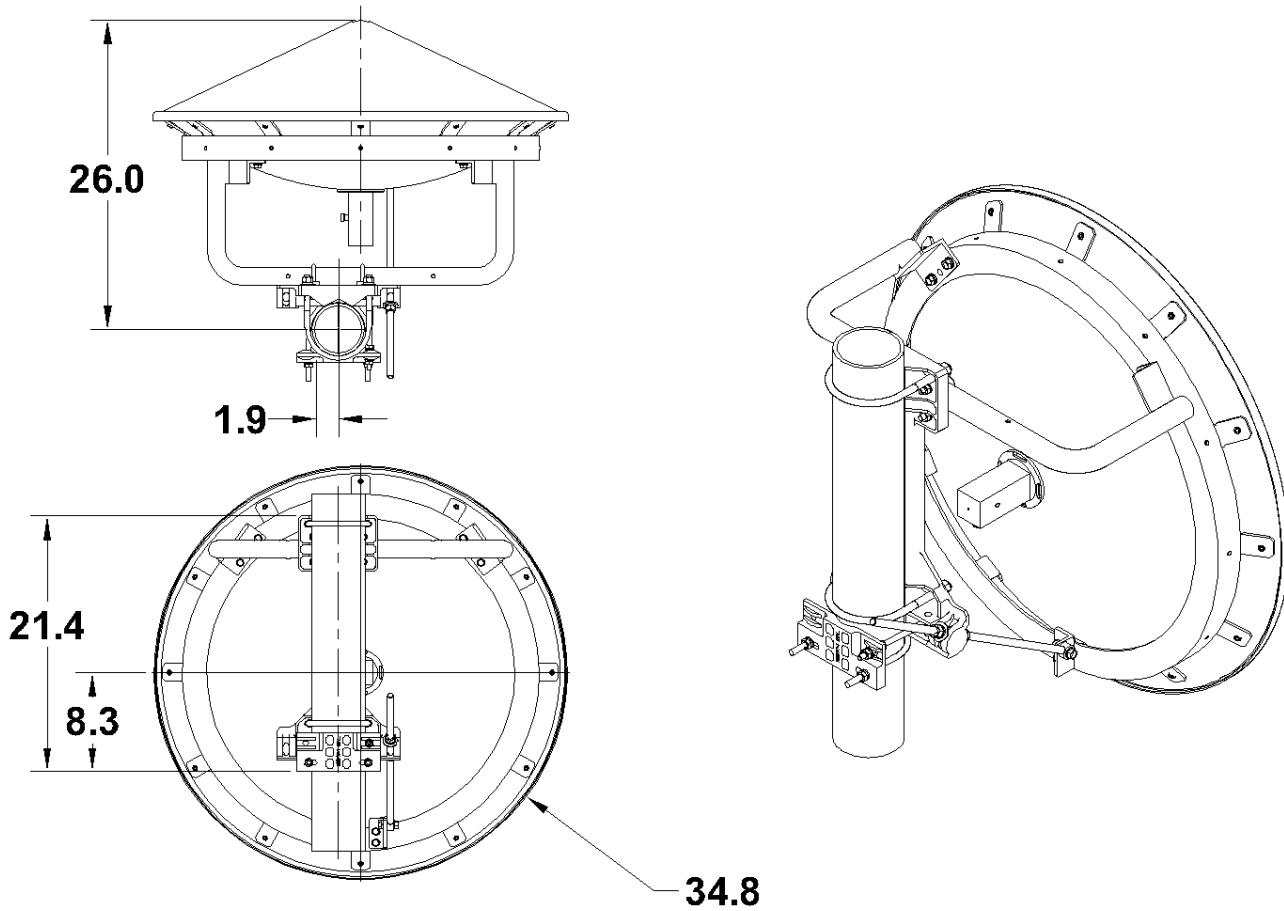
## Shipping Information

Package Type	Wood Crate
Gross Weight	78 lbs   35.3 kg

Dimensions, L x W x H	40 x 17 x 44in   101 x 43 x 140 cm
Shipping Volume	17.31 cu ft   0.49 cu m

\*Additional OEM interfaces and adapters may be available. Contact RadioWaves for a complete and current list of available adapters.

TECHNICAL DRAWINGS



**SP3**