

1.8 m | 6 ft High Performance Parabolic Reflector Antenna, Dual-polarized, 21.2-23.6GHz



## HPD6-23

The HP High Performance Series by RadioWaves offers a full line of high performance parabolic antennas engineered to provide ETSI class 2/3 radiation pattern performance as well as excellent gain. RadioWaves field-proven pre-assembled antennas and robust pole-mounts ensure “set and forget” installation with minimal post-installation maintenance. The included radome ensures robust and reliable performance under the most challenging conditions. If it’s rugged, it must be RadioWaves!

### FEATURES AND BENEFITS

- High Performance ETSI Class 2/3\* Parabolic Antennas – Excellent performance for a wide range of applications
- Fully Preassembled at the Factory – Simplifies installation on site and guarantees “factory-tested” quality

\*ETSI Class depends on frequency band

## SPECIFICATIONS

### General

|               |  |
|---------------|--|
| Antenna Type  | High Performance Parabolic Reflector Antenna |
| Size, nominal | 6 ft   1.8 m                                 |
| Polarization  | Dual   |

|                              |                                    |
|------------------------------|------------------------------------|
| Standard RF Connector Type   | WR42                               |
| Standard RF Connector Suffix | RS (append suffix to model number) |

### Electrical

|                                   |                 |
|-----------------------------------|-----------------|
| Operating Frequency Band          | 21.2 - 23.6 GHz |
| Half Power Beamwidth, Horizontal  | 0.5 degrees     |
| Half Power Beamwidth, Vertical    | 0.5 degrees     |
| Cross-Polarization Discrimination | 30 dB           |
| Front to Back Ratio (F/B)         | 72 dB           |

|                      |          |
|----------------------|----------|
| Gain, Low Frequency  | 48.3 dBi |
| Gain, Mid Frequency  | 49 dBi   |
| Gain, High Frequency | 49.2 dBi |
| VSWR                 | 1.37:1   |
| Return Loss          | -16.1 dB |

### Mechanical

|                               |                    |
|-------------------------------|--------------------|
| Fine Azimuth Adjustment       | +/- 10 degrees     |
| Fine Elevation Adjustment     | +/- 10 degrees     |
| Mounting Pipe Diameter, Min   | 4.5 inch   11.4 cm |
| Mounting Pipe Diameter, Max   | 4.5 inch   11.4 cm |
| Net Weight                    | 251 lbs   113 kg   |
| Wind Velocity Operational     | 90 mph   145 km/h  |
| Wind Velocity Survival Rating | 125 mph   201 km/h |

|  |                       |
|--|-----------------------|
| Mechanical Configuration                     | HP6                   |
| Axial Force (FA)                             | 1680 lbs   7473 N     |
| Side Force (FS)                              | 832 lbs   3700 N      |
| Twisting Moment (MT)                         | 2100 ft-lbs   2847 Nm |
| Operating Temperature Range                  | -40 to +60 C          |
| Max Pressure, PSIG, (if waveguide interface) | 5                     |

### Regulatory Compliance

|                            |                 |
|----------------------------|-----------------|
| FCC                        | Part 101 Cat. A |
| Industry Canada Compliance | SRSP23.8 A      |

|                |              |
|----------------|--------------|
| ETSI           | 302217 R3 C2 |
| RoHS-compliant | Yes          |

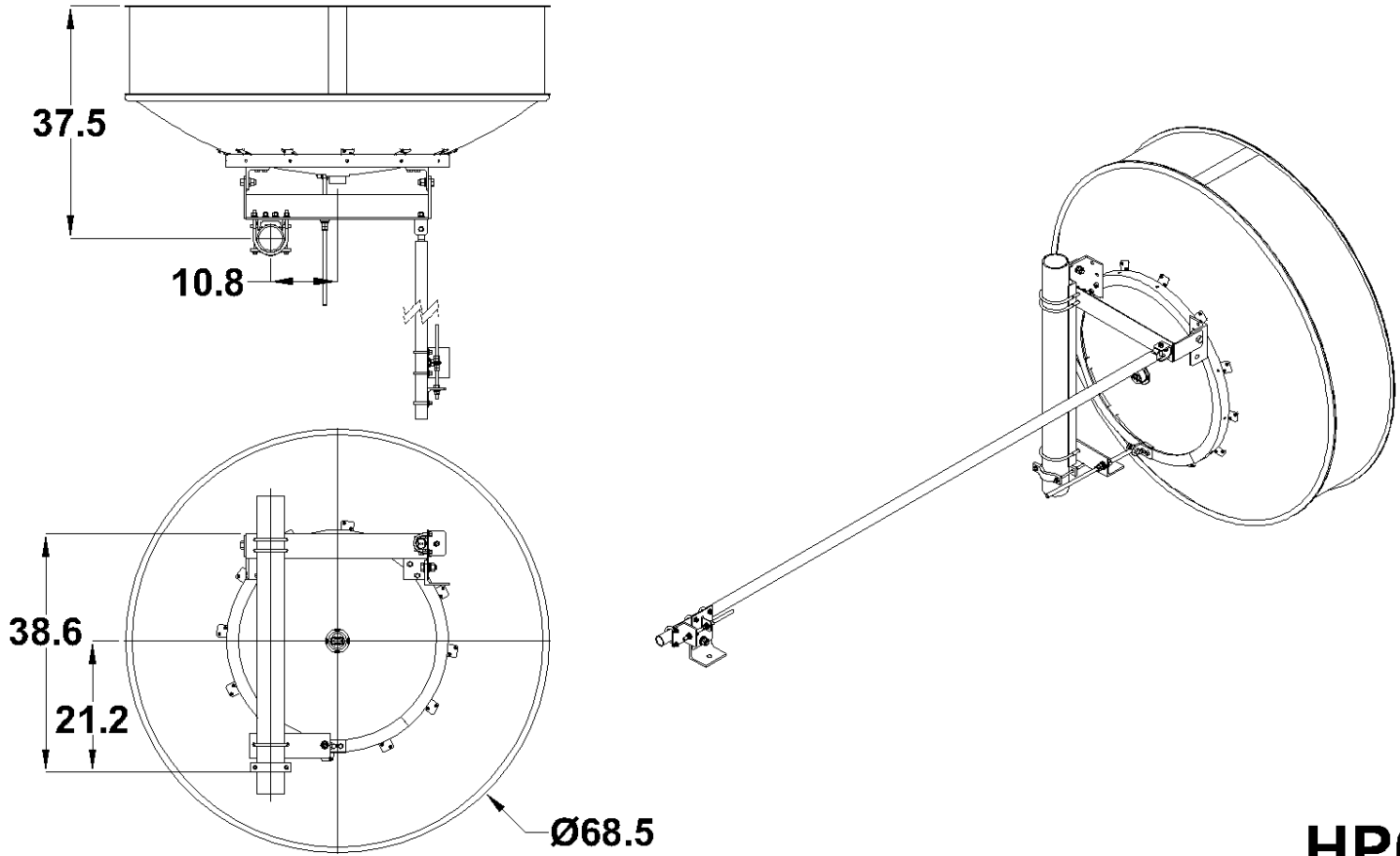
### Shipping Information

|              |                    |
|--------------|--------------------|
| Package Type | Wood Crate         |
| Gross Weight | 401 lbs   181.8 kg |

|                       |                                    |
|-----------------------|------------------------------------|
| Dimensions, L x W x H | 77 x 35 x 80in   195 x 89 x 203 cm |
| Shipping Volume       | 124.77 cu ft   3.53 cu m           |

\*Additional OEM interfaces and adapters may be available. Contact RadioWaves for a complete and current list of available adapters.

TECHNICAL DRAWINGS



**HP6**